

- Olympian plug-in design
- Combination of primary pre-filter and Ultraire high efficiency oil removing filter
- Primary pre-filter removes dirt. Main coalescing filter element removes sub-micron particles and converts oil and water mist to liquid form to drain away. Activated carbon pack acts as an adsorbent to assist in the removal of some hydro-carbon gases and any oil carryover from previous stage
- Oil removal to within BS 4275 (1974)[†]
- On one and two mask models (G¹/₄, G³/₈), the upper element changes colour in the presence of oil to indicate that the filter requires attention
- Oil and dirt contamination in outlet air within ISO 8573.1 Quality Class 1.7.1

[†]These units will not remove carbon monoxide, carbon dioxide or other toxic gases or fumes.

Technical Data

Medium:

Compressed air only

Maximum Pressure:

10 bar G¹/₄ (one mask), G³/₈ (two masks)
16 bar G¹/₂ (three masks), G³/₄ (four/five masks)

Operating Temperature:

-20°C* to +50°C (G¹/₄, G³/₈)
-20°C* to +65°C (G¹/₂, G³/₄)

*Consult our Technical Service for use below +2°C

Primary Pre-filter:

25 µm

Pre-filter (G¹/₄, G³/₈ models only):

40 µm nominal

Materials

G¹/₄, G³/₈ models:

Polycarbonate bowls to BS 6005. Zinc alloy bodies. Synthetic rubber elastomeric materials. Composite materials for main filter element and activated carbon pack.

G¹/₂, G³/₄ models:

Aluminium alloy bowls and bodies. Synthetic rubber elastomeric materials. Composite materials for main filter element and activated carbon pack.

Ordering Information

To order a standard Ultraire Breathing Air Set, quote model number from table overleaf.

For non-standard models please consult our Technical Service.

It is important that any Pressure Regulators are fitted downstream (not upstream) of Breathing Air Sets.

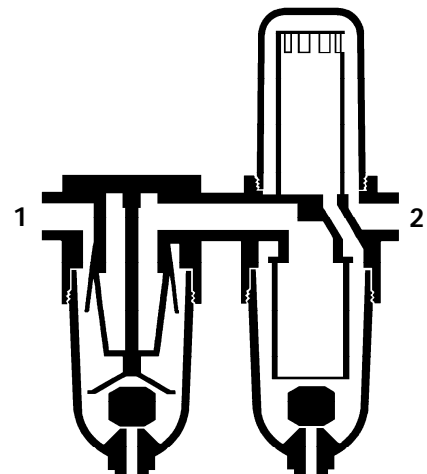
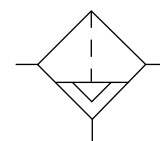


Port Sizes

G¹/₄, G³/₈, G¹/₂, G³/₄ to ISO 1179
Accepts ISO 228 (BS 2779) parallel or ISO 7 (BS 21) taper connectors

Alternative Models

Other port thread forms





Standard Ultraire Breathing Air Sets

Type	No. of Masks	Port Size	Primary (Pre-filter)	Ultraire (Oil removal)		Model	Weight kg
				First Stage	Second Stage		
Transparent Polycarbonate bowls	1	G ¹ / ₄	F13-000-A2TO	F50-004-A0TO	-	M4R-201-A2XD	2,52
	2	G ³ / ₈	F13-000-A2TO	F50-008-A0TO	-	M4R-301-A2XD	2,90
Metal bowls	3	G ¹ / ₂	F15-000-A2HO	F53-015-A0GO	12-999-076	M8R-461-F2XD	6,56
	4/5	G ³ / ₄	F15-000-A2HO	F53-025-A0MO	12-999-077	M8R-661-F2XD	7,19

Non-standard Models

For replacement Primary Pre-filters and first or second stages, quote appropriate reference from table above. Supplied without Unidaptors as replacement units or for the build-up of Combination Units. Please consult our Technical Service for further details.

Specify if unit is required complete with T13 (G¹/₄, G³/₈) or T15 (G¹/₂, G³/₄) Shut-Off Valve fitted upstream. For details of Shut-Off Valves see page 8.11.021.01.

For other options, please consult our Technical Service.

Accessories

Wall Mounting Bracket Kits, see pages 8.5.201.03 and 8.5.201.05.

Pressure Gauges, see page 8.11.031.01.

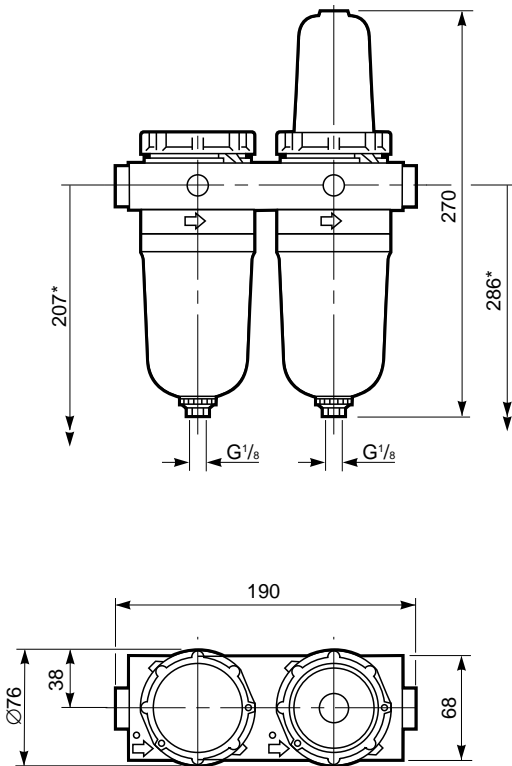
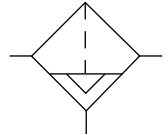
Bowl Guard Kits for G¹/₄ and G³/₈ models, reference 18-012-983 for the Primary Pre-filter and reference 18-012-981 for the Ultraire Oil Removal filter.

Transparent Polycarbonate Bowls - G¹/₄ (1 mask model)

Automatic Drain

Automatic Drain

M4R-201-A2XD G¹/₄



*Minimum clearance required to remove units from yoke.

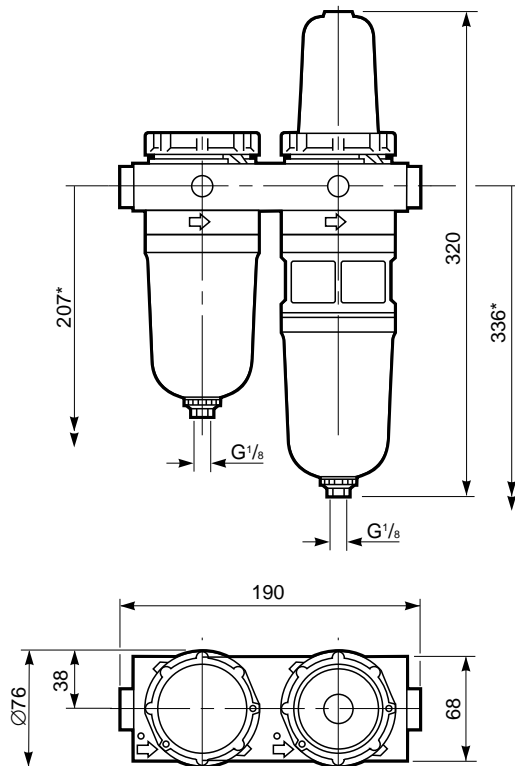
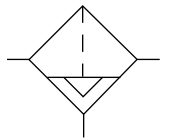


Transparent Polycarbonate Bowls - G³/₈ (2 mask model)

Automatic Drain

Automatic Drain

M4R-301-A2XD G³/₈

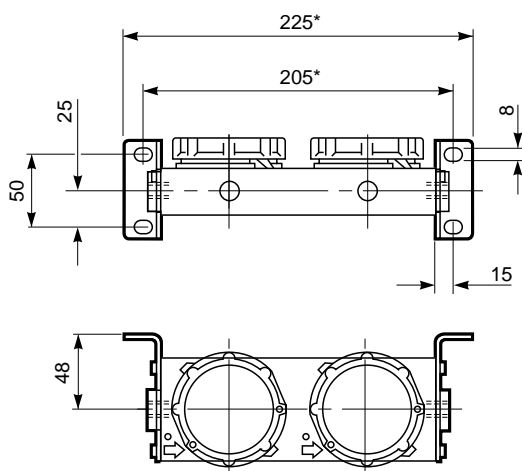


*Minimum clearance required to remove units from yoke.

Bracket Mounting - G¹/₄, G³/₈ (1 and 2 mask models)

Bracket Kit reference:

18-001-987



*If Shut-Off Valve fitted add 35 mm to dimensions.

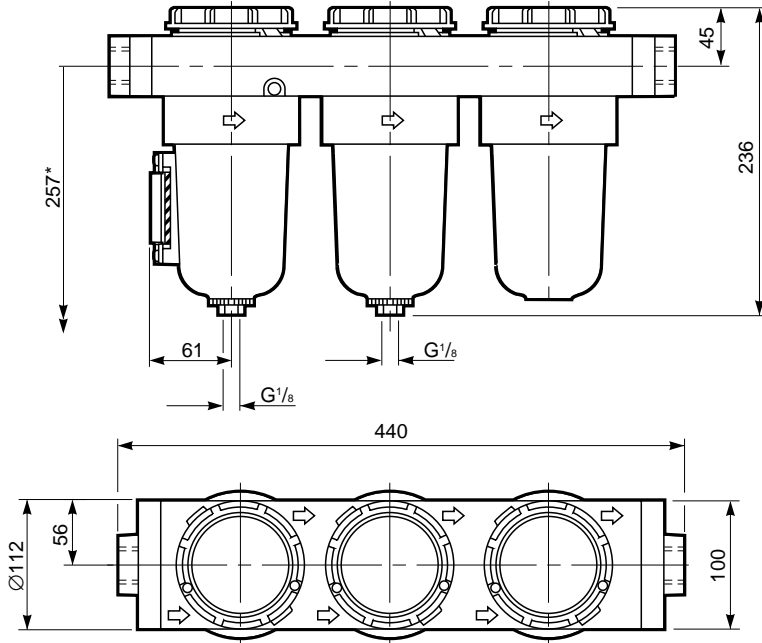
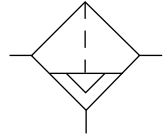


Metal Bowls - G¹/₂ (3 mask model)

Automatic Drain

Automatic Drain

M8R-461-F2XD G¹/₂



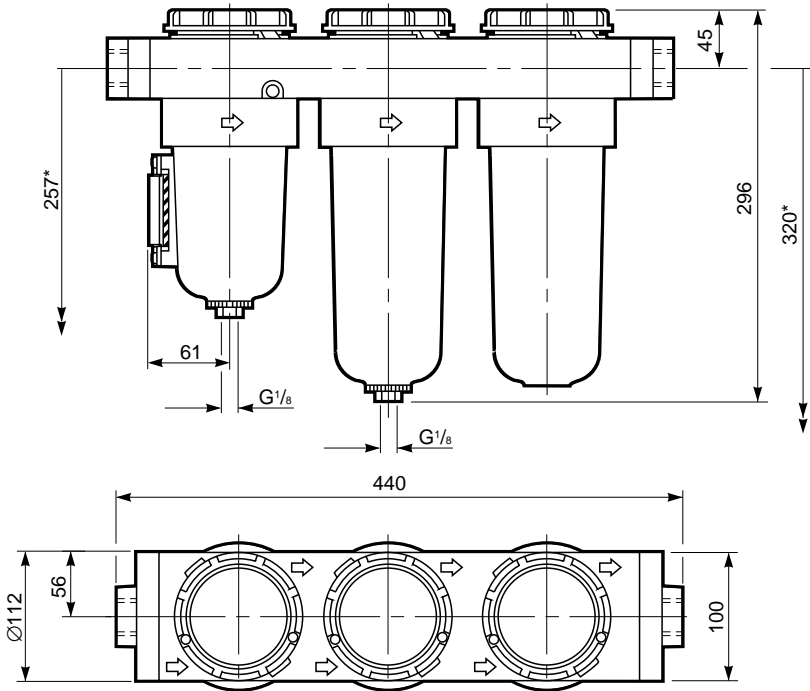
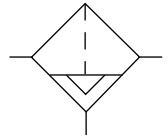
*Minimum clearance required to remove units from yoke.

Metal Bowls - G³/₄ (4/5 mask model)

Automatic Drain

Automatic Drain

M8R-661-F2XD G³/₄

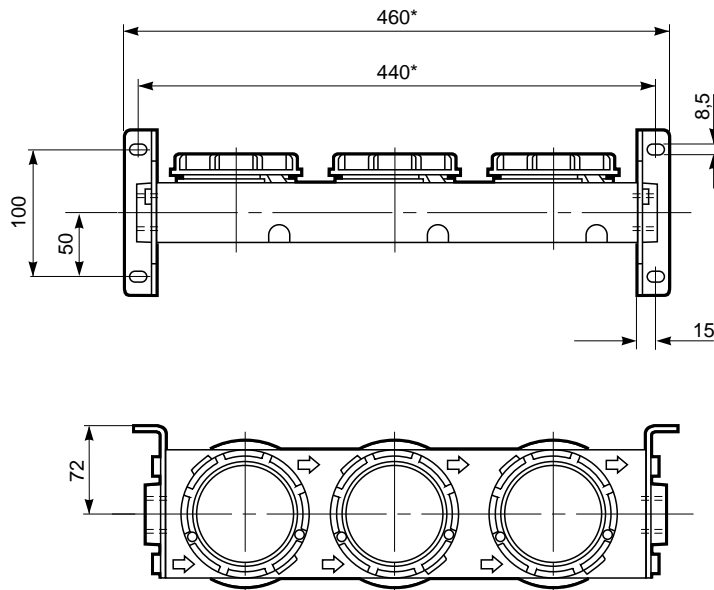


*Minimum clearance required to remove units from yoke.



Bracket Mounting - G¹/₂, G³/₄ (3 and 4/5 mask models)

Bracket Kit reference:
18-001-979



*If Shut-Off Valve fitted add 46 mm to dimensions.

Spares Kits

No. of Masks	Port Size	Primary (Pre-filter)		Ultraire (Oil-Removal)	
		Gasket Kit	Repair Kit	Gasket Kit	Repair Kit
1	G ¹ / ₄	F13-3-GK	F13-3-100A (25)	F50-GK	F50-100A
2	G ³ / ₈	F13-3-GK	F13-3-100A (25)	F50-GK	F50-120A
3	G ¹ / ₂	F15-GK	F15-100A (25)	F52-GK	F52-100A
4/5	G ³ / ₄	F15-GK	F15-100A (25)	F52-GK	F52-120A

Automatic Drain Kits available, reference 3000-97 for G¹/₄ and G³/₈ models or reference 3000-04 for G¹/₂ and G³/₄ models.

Warning

These products are intended for use in industrial compressed air systems only. Do not use these products where pressures and temperatures can exceed those listed under 'Technical Data'.

Before using these products with fluids other than those specified, for non-industrial applications, life-support systems, or other applications not within published specifications, consult NORGREN.

Through misuse, age, or malfunction, components used in fluid power systems can fail in various modes. The system designer is warned to consider the failure modes of all component parts used in fluid power systems and to provide adequate safeguards to prevent personal injury or damage to equipment in the event of such failure.

System designers must provide a warning to end users in the system instructional manual if protection against a failure mode cannot be adequately provided.

System designers and end users are cautioned to review specific warnings found in instruction sheets packed and shipped with these products.