

- > **Food Processing/ Packaging, medical, chemical or marine environments where wash down solutions or other corrosives are present**
- > **Dimensionally interchangeable with our standard Roundline Cylinders**
- > **Cost effective solution for difficult environments**



Technical Data

Medium

Air only

Double action

250 PSI

Operating Temperature

-20° F to 200°F

Strokes

1/2" - 32"

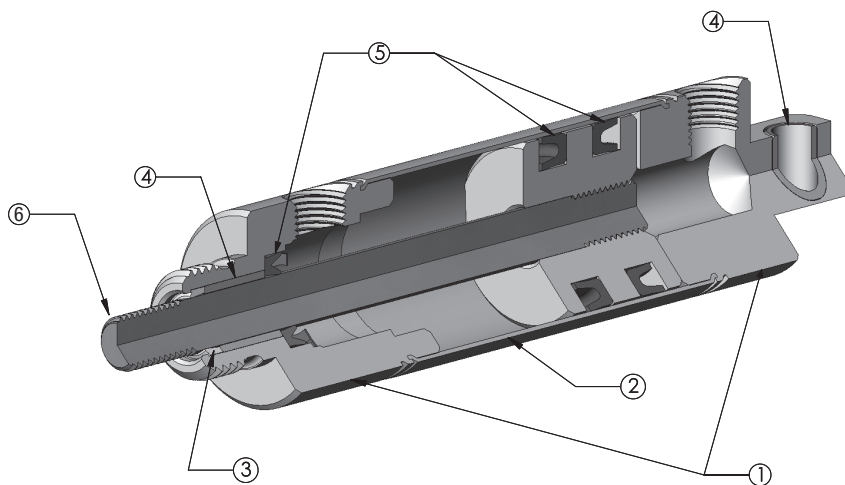
Ports

1/8" NPT, 1/4", NPT

Lubrication

Food grade synthetic grease

Component Description



1. Corrosion resistant 303 Stainless Steel end caps
2. 304 SS body with mirror finish ID for long, reliable seal life.
3. Urethane rod wiper designed to withstand exposure to harsh chemical solutions while limited ingress of the solutions and application matter into the cylinder
4. PTFE - based rod and pivot bushings selected for their resistance to many commonly used cleaning solutions.
5. Nitrile seals are standard with optional high temperature or other materials available.
6. 303 Stainless Steel Rod

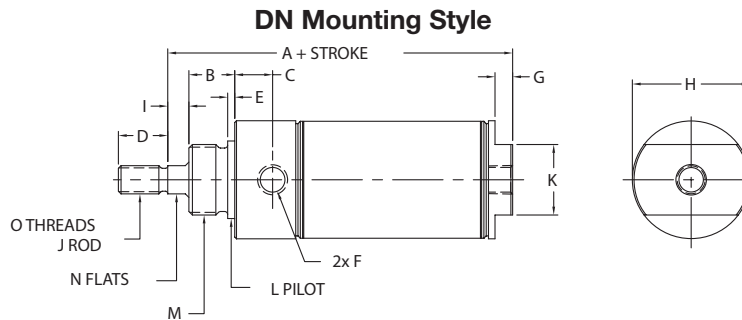
The model number of all All Stainless Steel Non-Repairable pneumatic actuators consists of an alphanumeric cluster designating product type, bore size, stroke length, and other optional components that together make up the complete part number to use in ordering. Use the ordering information below to build a valid part number.

An example of a basic All Stainless Steel Non-Repairable unit with 303 Stainless Steel end cap, 3/4" bore, 1-1/4" stroke, and additional options is shown below.

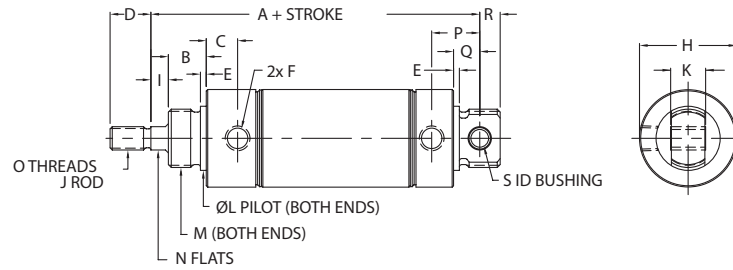
SR075X1.25-DNW

Type		Options	Substitute
Stainless Steel Roundline	SR	No threads on rod	PR
Bore	Substitute	Low temperature seals/lube	LT
5/16"	031	Magnet	M
7/16"	043	High temperature seals/lube	V
9/16"	056	Wiper (standard on all models, include in part number)	W
075 - 3/4"	075	Extra rod extension. Specify total additional rod extension in inches. For example, a cylinder with an extra extension of 1-1/2" would have option R1.5	RX.XX
7/8"	087	*Enter options in alphabetical order	
1-1/16"	106	Mounting	Substitute
1-1/4"	125	Double Acting Nose Mount	DN
1-1/2"	150	Double Acting Universal Mount	DP
1-3/4"	175		
2"	200		
2-1/2"	250		
3"	300		
Stroke			
In inches and decimal fractions	X		

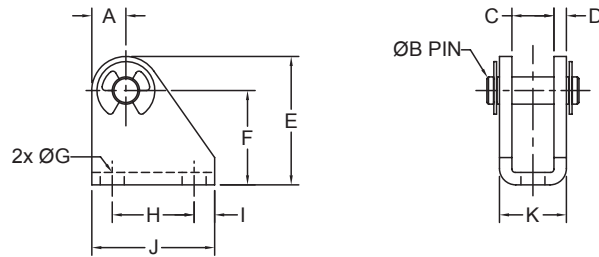
Dimensions (All Stainless Steel Cylinders)



Bore	A	B	C	D	E	F	G	H	I	J	K	L	M	N	O
5/16" (031)	1.56	0.31	0.16	0.38	N/A	#10-32	NA	0.61	NA	0.125	NA	NA	3/8-24	NA	#5-40
7/16" (043)	2.13	0.38	0.35	0.50	0.05	#10-32	0.19	0.74	NA	1.880	0.38	0.433 / 0.437	7/16-20	NA	#10-32
9/16" (056)	2.28	0.38	0.38	0.50	0.06	#10-32	0.19	0.62	NA	0.188	0.5	0.434 / 0.437	7/16-20	NA	#10-32
3/4" (075)	2.97	0.50	0.47	0.50	0.09	1/8 NPT	0.19	0.86	NA	0.250	0.62	0.621 / 0.624	5/8-18	NA	1/4-28
7/8" (087)	2.71	0.50	0.47	0.50	0.09	1/8 NPT	0.19	0.93	NA	0.250	0.62	0.621 / 0.624	5/8-18	NA	1/4-28
1-1/16" (106)	3.25	0.50	0.57	0.50	0.09	1/8 NPT	0.19	1.11	0.12	0.312	0.88	0.621 / 0.624	5/8-18	0.25	5/16-24
1-1/4" (125)	3.81	0.63	0.75	0.75	0.09	1/8 NPT	0.25	1.33	0.25	0.438	0.88	0.746 / 0.749	3/4-16	0.38	7/16-20
1-1/5" (150)	3.69	0.66	0.63	0.75	0.09	1/8 NPT	0.25	1.56	0.25	0.438	0.88	0.746 / 0.749	3/4-16	0.38	7/16-20
1-3/4" (175)	4.44	0.75	0.88	0.88	0.09	1/4 NPT	0.25	1.85	0.31	0.500	1.25	1.029 / 1.032	1-14	0.44	1/2-20
2" (200)	4.69	0.81	0.75	0.88	0.13	1/4 NPT	0.31	2.09	0.38	0.625	1.25	1.372 / 1.375	1-1/4-12	0.50	1/2-20
2-1/2" (250)	4.69	0.81	0.66	0.88	0.13	1/4 NPT	0.31	2.58	0.38	0.625	1.75	1.497 / 1.5	1-3/8-12	0.50	1/2-20
3" (300)	5.25	1.00	0.72	1.25	0.19	3/8 NPT	0.31	3.13	0.38	0.750	2.00	1.622 / 1.625	1-1/2-12	0.63	5/8-18

Accessories (All Stainless Steel Cylinders)
DP Mounting Style


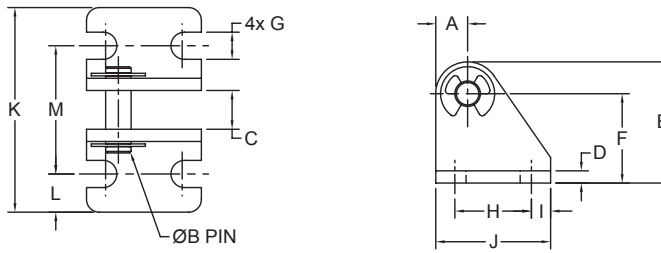
Bore	A	B	C	D	E	F	H	I	J	K	L	M	N	O	P	Q	R	S
5/16" (031)	1.94	0.31	0.16	0.38	N/A	#10-32	0.50 SQ	N/A	0.125	0.25	N/A	3/8-24	N/A	#5-40	0.34	0.19	0.16	0.13
7/16" (043)	2.56	0.38	0.35	0.50	0.05	#10-32	Ø.74	N/A	0.188	0.31	0.433 / 0.437	7/16-20	N/A	#10-32	0.44	0.25	0.25	0.16
9/16" (056)	2.56	0.38	0.38	0.50	0.06	#10-32	Ø.62	N/A	0.188	0.31	0.434 / 0.437	7/16-20	N/A	#10-32	0.38	0.25	0.19	0.16
3/4" (075)	3.75	0.50	0.47	0.50	0.09	1/8 NPT	Ø.86	N/A	0.250	0.38	0.621 / 0.624	5/8-18	N/A	1/4-28	0.63	0.34	0.28	0.25
7/8" (087)	3.34	0.50	0.47	0.50	0.09	1/8 NPT	Ø.93	N/A	0.250	0.38	0.621 / 0.624	5/8-18	N/A	1/4-28	0.63	0.34	0.28	0.25
1-1/16" (106)	3.84	0.50	0.57	0.50	0.09	1/8 NPT	Ø1.11	0.12	0.312	0.38	0.621 / 0.624	5/8-18	0.25	5/16-24	0.63	0.34	0.28	0.25
1-1/4" (125)	4.53	0.63	0.75	0.75	0.09	1/8 NPT	Ø1.33	0.25	0.438	0.50	0.746 / 0.749	3/4-16	0.38	7/16-20	0.78	0.40	0.41	0.25
1-1/5" (150)	4.38	0.66	0.63	0.75	0.09	1/8 NPT	Ø1.56	0.25	0.438	0.63	0.746 / 0.749	3/4-16	0.38	7/16-20	0.81	0.50	0.38	0.38
1-3/4" (175)	5.50	0.75	0.88	0.88	0.09	1/4 NPT	Ø1.85	0.31	0.500	0.63	1.029 / 1.032	1-14	0.44	1/2-20	1.13	0.50	0.50	0.38
2" (200)	5.63	0.81	0.75	0.88	0.13	1/4 NPT	Ø2.09	0.38	0.625	0.75	1.372 / 1.375	1-1/4-12	0.50	1/2-20	1.03	0.56	0.44	0.38
2-1/2" (250)	5.63	0.81	0.66	0.88	0.13	1/4 NPT	Ø2.58	0.38	0.625	0.75	1.497 / 1.500	1-3/8-12	0.50	1/2-20	1.03	0.56	0.44	0.38
3" (300)	6.50	1.00	0.72	1.25	0.19	3/8 NPT	Ø3.13	0.38	0.750	0.88	1.622 / 1.625	1-1/2-12	0.63	5/8-18	1.34	0.81	0.63	0.50

Stainless Steel One Piece Pivot Bracket


Bore	Model	A	B	C	D	E	F	G	H	I	J	K
5/16" (031)	SRE-PB1-031	0.13	0.13	0.27	0.04	0.57	0.44	0.16	0.38	0.13	0.63	0.34
7/16" (043)	SRE-PB1-043	0.20	0.16	0.32	0.06	0.76	0.56	0.20	0.50	0.13	0.75	0.44
9/16" (056)	SRE-PB1-043	0.20	0.16	0.32	0.06	0.76	0.56	0.20	0.50	0.13	0.75	0.44
3/4" (075)	SRE-PB1-075	0.31	0.25	0.39	0.11	1.18	0.86	0.22	0.75	0.19	1.13	0.61
7/8" (087)	SRE-PB1-075	0.31	0.25	0.39	0.11	1.18	0.86	0.22	0.75	0.19	1.13	0.61
1-1/16" (106)	SRE-PB1-075	0.31	0.25	0.39	0.11	1.18	0.86	0.22	0.75	0.19	1.13	0.61
1-1/4" (125)	SRE-PB1-125	0.31	0.25	0.52	0.11	1.18	0.86	0.22	0.75	0.19	1.13	0.74
1-1/5" (150)	SRE-PB1-150	0.38	0.37	0.64	0.14	1.77	1.39	0.28	1.00	0.25	1.50	0.92
1-3/4" (175)	SRE-PB1-150	0.38	0.37	0.64	0.14	1.77	1.39	0.28	1.00	0.25	1.50	0.92
2" (200)	SRE-PB1-200	0.38	0.37	0.76	0.25	1.77	1.38	0.28	1.00	0.25	1.50	1.26
2-1/2" (250)	SRE-PB1-200	0.38	0.37	0.76	0.25	1.75	1.38	0.28	1.00	0.25	1.50	1.26
3" (300)	SRE-PB1-300	0.50	0.50	0.89	0.25	2.25	1.75	0.42	1.38	0.38	2.13	1.39

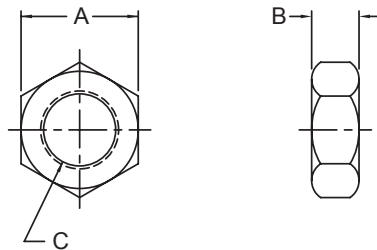
Accessories (All Stainless Steel Cylinders)

Stainless Steel Two Piece Pivot Bracket

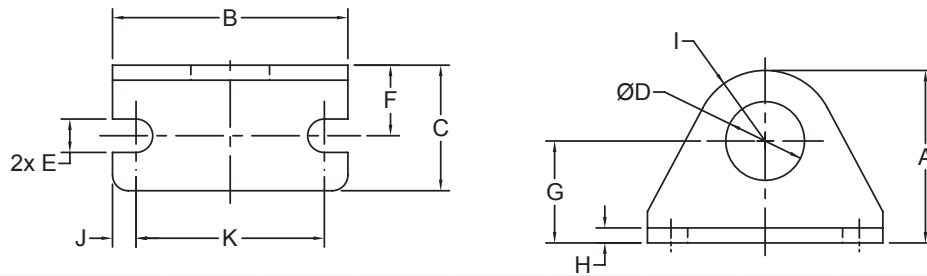


Bore	Model	A	B	C	D	E	F	G	H	I	J	K	L	M
5/16" (031)	SRE-PB2-031	0.13	0.13	0.28	0.04	0.54	0.40	0.13	0.38	0.12	0.63	1.03	0.13	0.78
7/16" (043)	SRE-PB2-043	0.20	0.16	0.34	0.06	0.77	0.57	0.19	0.50	0.13	0.75	1.36	0.23	0.91
9/16" (056)	SRE-PB2-043	0.20	0.16	0.34	0.06	0.77	0.57	0.19	0.50	0.13	0.75	1.36	0.23	0.91
3/4" (075)	SRE-PB2-075	0.31	0.25	0.38	0.12	1.19	0.88	0.27	0.75	0.19	1.13	2.00	0.38	1.26
7/8" (087)	SRE-PB2-075	0.31	0.25	0.38	0.12	1.19	0.88	0.27	0.75	0.19	1.13	2.00	0.38	1.26
1-1/16" (106)	SRE-PB2-075	0.31	0.25	0.38	0.12	1.19	0.88	0.27	0.75	0.19	1.13	2.00	0.38	1.26
1-1/4" (125)	SRE-PB2-125	0.31	0.25	0.50	0.12	1.19	0.88	0.27	0.75	0.19	1.13	2.13	0.38	1.39
1-1/5" (150)	SRE-PB2-150	0.38	0.38	0.63	0.13	1.75	1.38	0.27	1.00	0.25	1.50	2.63	0.38	1.88
1-3/4" (175)	SRE-PB2-175	0.38	0.38	0.63	0.25	1.75	1.38	0.27	1.00	0.25	1.50	2.87	0.43	2.00
2" (200)	SRE-PB2-200	0.38	0.38	0.76	0.25	1.75	1.38	0.27	1.00	0.25	1.50	3.01	0.44	2.14
2-1/2" (250)	SRE-PB2-200	0.38	0.38	0.76	0.25	1.75	1.38	0.27	1.00	0.25	1.50	3.01	0.44	2.14
3" (300)	SRE-PB2-300	0.50	0.50	0.88	0.25	2.25	1.75	0.27	1.25	0.25	1.75	3.88	0.63	2.63

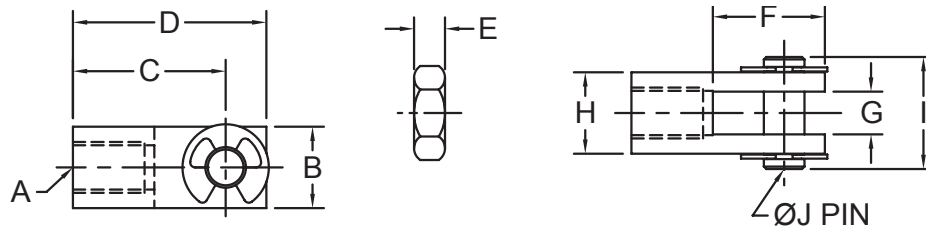
Stainless Steel Mounting Nut



Bore	Model	A	B	C
5/16" (031)	SRE-MN-031B	0.56	0.22	3/8-24
7/16" (043)	SRE-MN-043A	0.69	0.25	7/16-20
9/16" (056)	SRE-MN-043A	0.69	0.25	7/16-20
3/4" (075)	SRE-MN-075A	0.94	0.38	5/8-18
7/8" (087)	SRE-MN-075A	0.94	0.38	5/8-18
1-1/16" (106)	SRE-MN-075A	0.94	0.38	5/8-18
1-1/4" (125)	SRE-MN-125	1.12	0.42	3/4-16
1-1/5" (150)	SRE-MN-125	1.12	0.42	3/4-16
1-3/4" (175)	SRE-MN-175	1.50	0.55	1-14
2" (200)	SRE-MN-200	1.88	0.50	1-1/4-12
2-1/2" (250)	SRE-MN-250	1.85	0.50	1-3/8-12
3" (300)	SRE-MN-300	2.25	0.50	1-1/2-12

Accessories (All Stainless Steel Cylinders)
Stainless Steel Foot Bracket


Bore	Model	A	B	C	D	E	F	G	H	I	J	K
5/16" (031)	SRE-FB-031D	0.75	1.00	0.38	0.38	0.13	0.25	0.44	0.06	0.31	0.13	0.75
7/16" (043)	SRE-FB-043D	0.83	1.38	0.69	0.44	0.19	0.38	0.56	0.09	0.38	0.19	1.00
9/16" (056)	SRE-FB-043D	0.83	1.38	0.69	0.44	0.19	0.38	0.56	0.09	0.38	0.19	1.00
3/4" (075)	SRE-FB-075D	1.38	1.88	1.00	0.63	0.27	0.56	0.81	0.12	0.56	0.19	1.50
7/8" (087)	SRE-FB-075D	1.38	1.88	1.00	0.63	0.27	0.56	0.81	0.12	0.56	0.19	1.50
1-1/16" (106)	SRE-FB-075D	1.38	1.88	1.00	0.63	0.27	0.56	0.81	0.12	0.56	0.19	1.50
1-1/4" (125)	SRE-FB-125	1.75	2.50	1.50	0.76	0.28	0.75	1.00	0.12	0.75	0.31	1.88
1-1/5" (150)	SRE-FB-125	1.75	2.50	1.50	0.76	0.28	0.75	1.00	0.12	0.75	0.31	1.88
1-3/4" (175)	SRE-FB-175	2.12	3.00	1.50	1.04	0.34	0.88	1.25	0.18	0.91	0.38	2.25
2" (200)	SRE-FB-200	2.50	3.13	1.65	1.39	0.34	1.00	1.50	0.27	1.00	0.44	2.25
2-1/2" (250)	SRE-FB-250	3.00	3.75	1.63	1.50	0.34	1.00	1.75	0.26	1.25	0.44	2.88
3" (300)	SRE-FB-300	3.14	4.38	1.63	1.63	0.34	1.00	1.89	0.25	1.25	0.44	3.50

Stainless Steel Rod End Clevis (includes nut)


Bore	Model	SRE-RC-031 A	B	C	D	E	F	G	H	I	J
5/16" (031)	SRE-RC-031	#5-40	0.31	0.44	0.56	0.11	0.37	0.14	0.31	0.50	0.13
7/16" (043)	SRE-RC-043	#10-32	0.38	0.75	0.94	0.12	0.56	0.20	0.38	0.55	0.19
9/16" (056)	SRE-RC-043	#10-32	0.38	0.75	0.94	0.12	0.56	0.20	0.38	0.55	0.19
3/4" (075)	SRE-RC-075	1/4-28	0.50	0.94	1.19	0.16	0.69	0.26	0.50	0.69	0.25
7/8" (087)	SRE-RC-075	1/4-28	0.50	0.94	1.19	0.16	0.69	0.26	0.50	0.69	0.25
1-1/16" (106)	SRE-RC-106	5/16-24	0.50	0.94	1.19	0.19	0.69	0.26	0.50	0.69	0.25
1-1/4" (125)	SRE-RC-125	7/16-20	0.75	1.31	1.69	0.25	0.94	0.39	0.75	1.03	0.37
1-1/5" (150)	SRE-RC-125	7/16-20	0.75	1.31	1.69	0.25	0.94	0.39	0.75	1.03	0.37
1-3/4" (175)	SRE-RC-175	1/2-20	0.75	1.31	1.69	0.31	0.94	0.39	0.75	1.03	0.37
2" (200)	SRE-RC-175	1/2-20	0.75	1.31	1.69	0.31	0.94	0.39	0.75	1.03	0.37
2-1/2" (250)	SRE-RC-175	1/2-20	0.75	1.31	1.69	0.31	0.94	0.39	0.75	1.03	0.37
3" (300)	SRE-RC-300	5/8-18	1.00	2.25	2.75	0.38	1.50	0.50	1.00	1.38	0.50

Warning

Improper selection, misuse, age or malfunction of components used in systems can cause failure in various modes. The system designer is warned to consider the failure modes of all component parts and to provide adequate safeguards to prevent personal injury or damage to equipment or property in the event of such failure modes. System designers and end users are cautioned to consult instruction sheets and specifications available from the factory. The system designer/end user is responsible for verifying that all requirements for the application are met.

Warranty

The products described herein are warranted subject to seller's Standard Terms and Condition of Sale, available at seller's website.

⚠ WARNING: This product can expose you to chemicals including lead, which is know to the State of California to cause cancer. For more information, go to www.p65warnings.ca.gov.