

5/2 Directional Control Valves



Nominal size 6 and 12
 Solenoid pilot operated soft seal spool valve
 Port sizes G 1/4 and G 1/2
 Operating pressure max. 10 bar (see parameters)

Catalog Register
P 11

Publication 7501054.06.05.97



Description

Solenoid valve for filtered lubricated¹⁾ or non-lubricated air

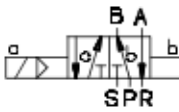
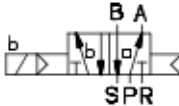
Flow direction: Fixed
 Temperature range: -10 to +60 °C

Features

- Environmentally acceptable due to silencer integrated in pilot control
- High flow rate
- Direct flow through valve guaranteeing a high flow rate
- Simple soft seal valve system
- Maintenance-free
- Easy to service
- Simple exchangeable solenoid system
- Compact design
- Standard manual override
- Mounting position optional
- Current draw 7 W



Parameters

Symbol	Nominal size	Port size	Operating pressure [bar]		k _v -value (C _v (US) = k _v x 1.2)	Switching time [ms]	Weight [kg]	Sectional drawing No.	Dimensional drawing No.	Cat. No.	
			min.	max.						Valve	Solenoid
	6	G 1/4	1	10	1.2	20	0.55	01	01	2636000. 0247²⁾	
	12	G 1/2	2	10	3.0	25	0.83	01	01	2637050. 0247	
	6	G 1/4	1	10	1.2	15	0.90	02	02	2636200. 0247	
	12	G 1/2	2	10	3.0	20	1.30	02	02	2637250. 0247	

¹⁾ Oil recommendation: Shell Hydrol DO 32, ESSO Febis K 32 (as of July 1992) or comparable oils with DVI values < 8 (DIN 53521) and ISO viscosity class 32-46 (DIN 51519).

²⁾ Pressure head at = or < operating pressure -1 bar

For manifold system, please see Publication 7501074 and 7501092, Reg. 13

Further versions available on request

Solenoids

Standard voltages 24 VDC, 230 VAC
 Other voltages available on request
 Design to VDE 0580
 100% duty cycle

For detailed technical data see Publication 7500782,
 Reg. 17 of our pneumatic catalog.

Current draw:

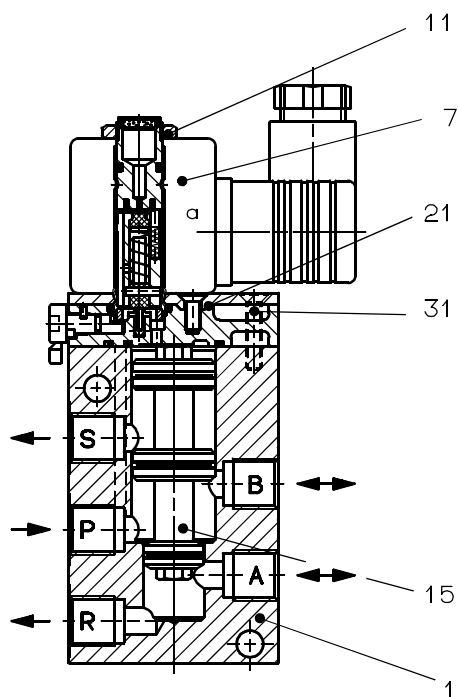
Solenoid	DC	Solenoid	AC Inrush	AC Holding
0246 ¹⁾	7 W	0246 ¹⁾	18 VA	10 VA
0247 ²⁾	7 W	0247 ²⁾	18 VA	10 VA
0272 ³⁾	7 W	0272 ³⁾	—	—
0273 ³⁾	—	0273 ³⁾	9 VA	9 VA

Degree of protection to DIN 40050: IP 65
 Connector to DIN 43650

- ¹⁾ IP 00 without connector
²⁾ IP 65 with connector
³⁾ EEx m II T4

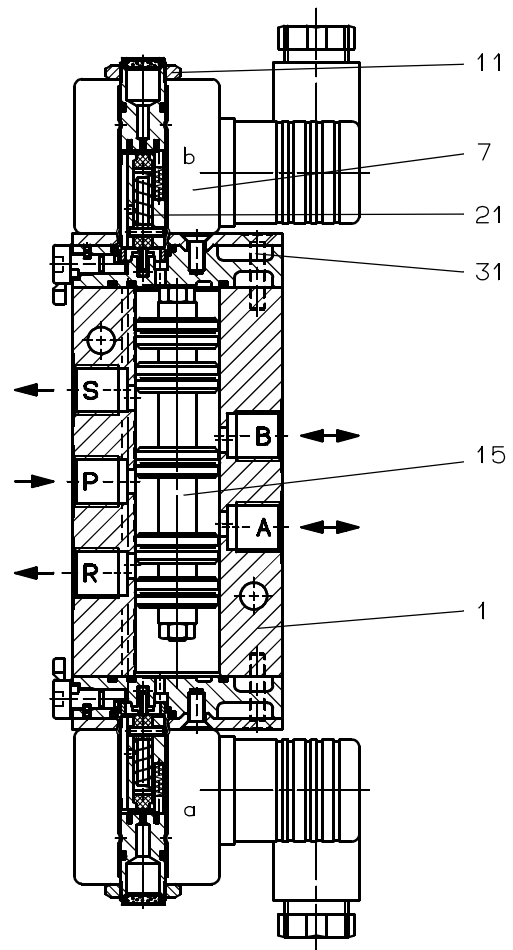
Sectional drawings

01



- 1 Body
- 7 Solenoid
- 11 Nut
- 15 Piston assly.
- 21 3/2 pilot valve
- 31 Screw

02

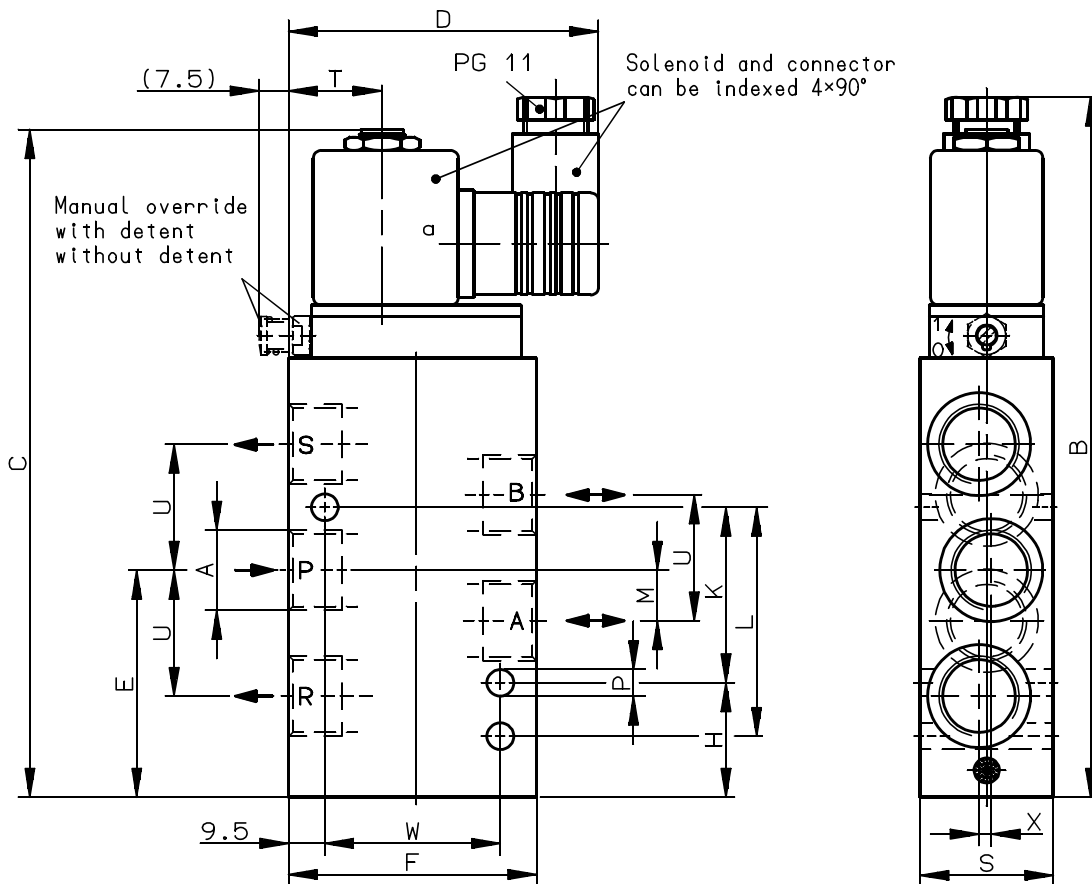


Spare parts kit Cat. No.	Valve Cat. No.
0567314	2636000
0555931	2637050
0555263	2636200
0555932	2637250

Please state Cat. Nos. of kit and corresponding valve to
 avoid misinterpretations.

Dimensional drawing [mm]

01

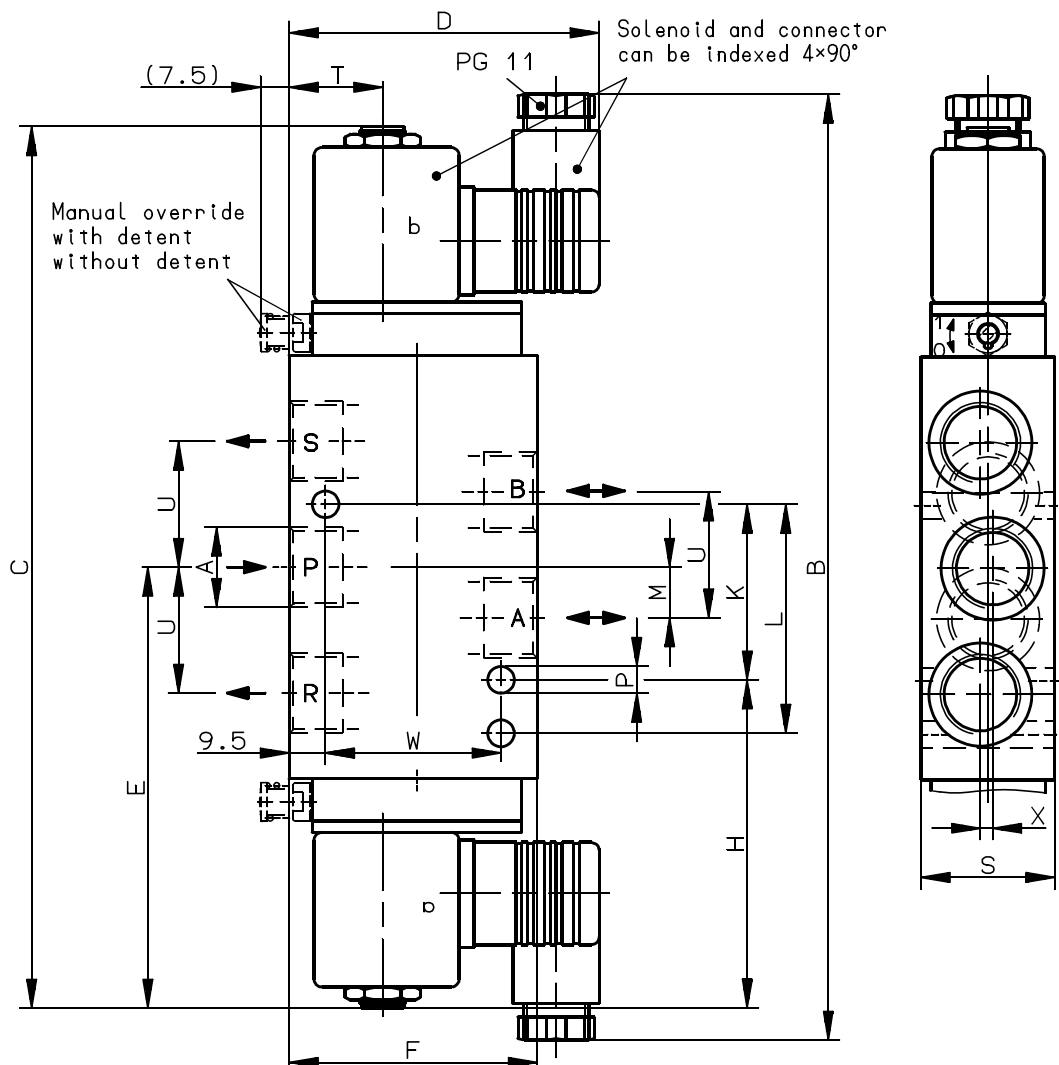


Dimensional table [mm]

Cat. No.	A	B	C	D	E	F	H	K	L	M	P	S	T	U	W	X
2636000.0247	G 1/4	153	144	74	35	55	5	67	—	12	7	30	18.5	24	40	5
2637050.0247	G 1/2	183	175	81	59.5	65	30	46	60	13	7	35	24.5	33	46	3.2

Dimensional drawing [mm]

02



Dimensional table [mm]

Cat. No.	A	B	C	D	E	F	H	K	L	M	P	S	T	U	W	X
2636200.0247	G 1/4	239	224	74	112	55	82	67	—	12	7	30	18.5	24	40	5
2637250.0247	G 1/2	248	231	81	115.5	65	86	46	60	13	7	35	24.5	33	46	3.2