

5/3 Directional Control Valve



Nominal size 6
NAMUR pattern flange mounting
Solenoid pilot operated
soft seal spool valve
Operating pressure 3 to 10 bar

Catalog Register
P11

Publication 7502252.06.11.89



Description

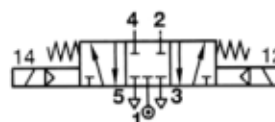
Solenoid valve for filtered, lubricated¹⁾ or oil-free compressed air.

Direction of flow: Fixed
Temperature range: -10 to +60 °C

Materials
Valve body: Aluminium
Pilot valve flange: Plastics (POM)
Seals: AU (Polyurethan)

Features

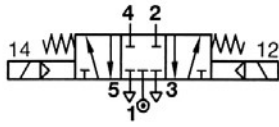
- High flow rate
- Straightforward design of spool valve soft seal systems
- Direct through flow combined with high flow rate
- Maintenance free
- Easily interchangeable solenoids
- Compact design
- Manual override as standard feature
- Power consumption 3 W as standard
- Wide range of possible mountings
- Environmentally acceptable as a result of integrated silencer in pilot control valve



¹⁾ Oil recommendation: Shell Hydrol DO 32, ESSO Febis K 32 (as of July 1992) or comparable oils with DVI values < 8 (DIN 53521) and ISO viscosity class 32-46 (DIN 51519).

Valve parameters

Nom. size	Pipe connections		Operating pressure [bar]		k _v -value (C _v (US) ≈ k _v × 1.2)	Switching time [ms]	Manual override	Weight [kg]	Sectional drawing No.	Dimensional drawing No.	Cat. No.	
	1	3 5	2	4							min.	max.
6	G 1/4	Flange	3	10	0.9	40	with detent	1.0	01	01	2636447.	See selection of solenoids



Thread symbol G to ISO 228/1 replaces former symbol R to DIN 259.

2 fixing bolts (M5 × 35, DIN 912 8.8) and one coding stud (M5 × 10, DIN 913 A2) included.

Solenoid parameters (excerpt from solenoid list no. 0541345)

Illustration	Power consumption		Current [mA]		Nom. voltage tolerance [%]		Safety rating	Ambient temperature [°C]	Fluid temperature [°C]	Weight [kg]	Dimensional drawing No.	Circuit diagram No.	Cat. No.
	[W] DC	[VA] AC	24 V DC	220 V AC	+	-							
	2.7	-	112	-	10	10	IP 65	-10 to +55	to +60	0.18	01	01	0240
	-	10 ¹⁾ 5 ²⁾	-	45 ¹⁾ 20 ²⁾	10	10							01
	3.3	-	137	-	10	10	IP 65 (Ex)sG5	-10 to +40	to +55	0.4	02	03	0278
	-	4.2	-	20	10	10							02
	4	-	160	-	10	15	IP 65 (Ex)sG5	-10 to +40	to +55	0.67	03	03	0788
	-	4.5	-	20	10	15							03

¹⁾ at pick up

²⁾ in operation

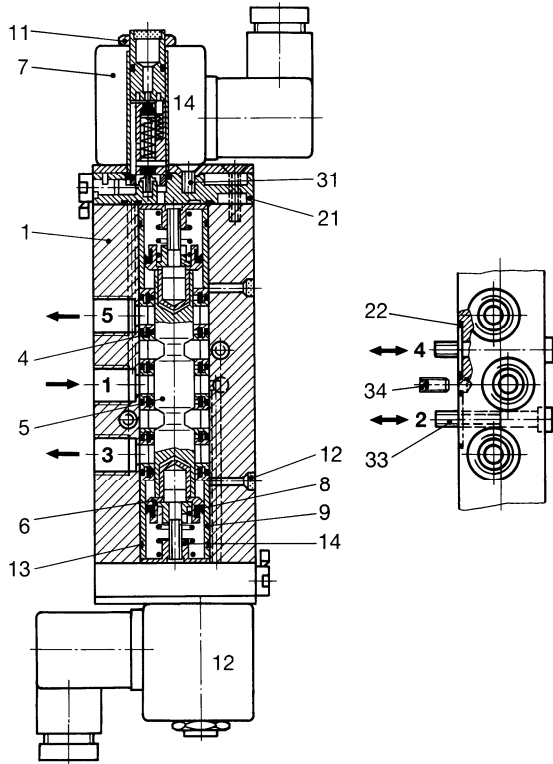
Further voltages and variations available on request.

Designed in accordance with VDE 0580/VDE 0171. 100 % duty cycle.

Cat. No. (example): Valve Solenoid
2636447.0240 Voltage [V] and frequency [Hz] should be quoted

Sectional drawing

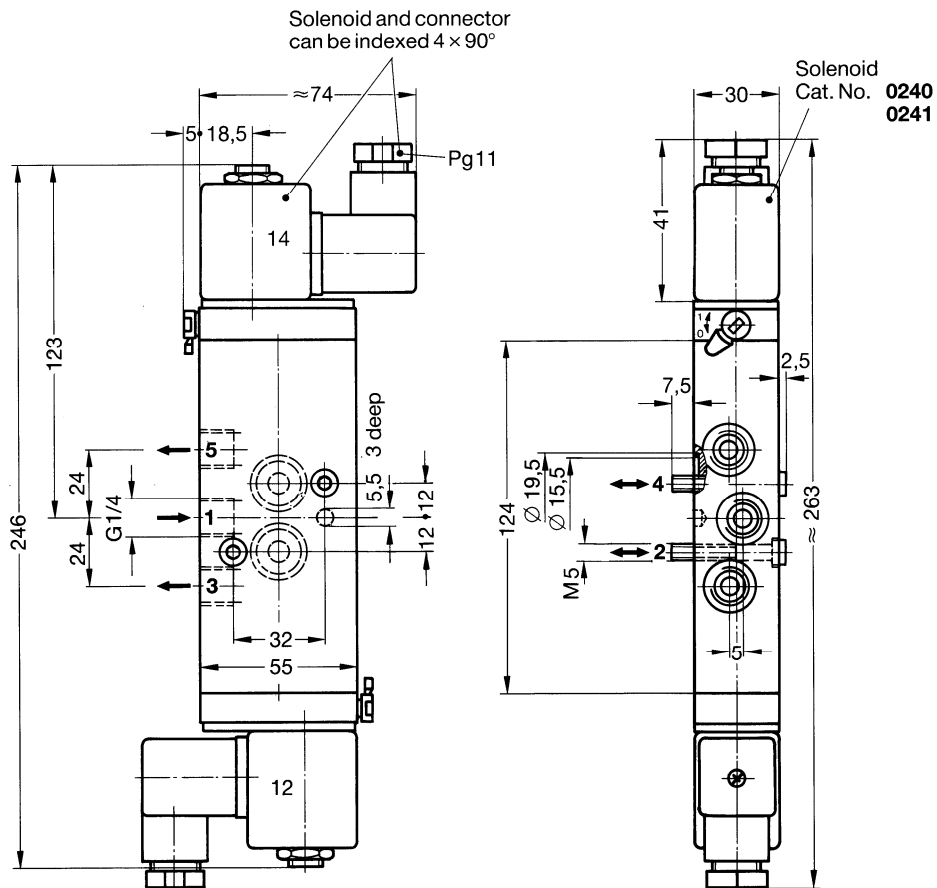
01



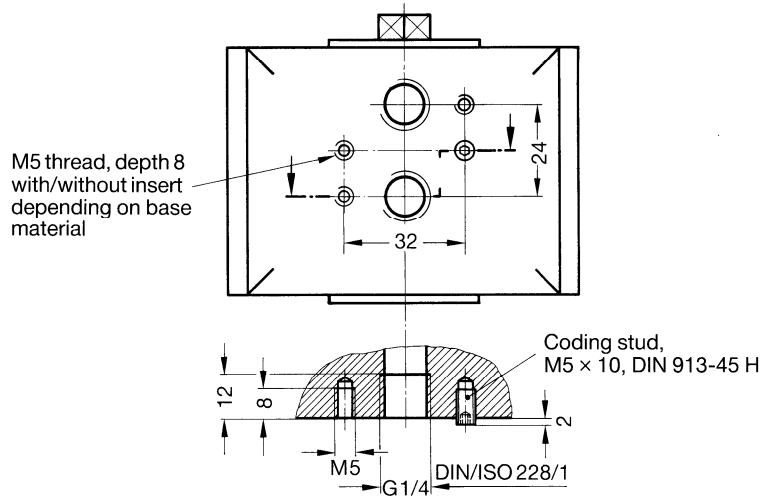
- 1 Body
- 4 Seal holder assy.
- 5 Spool
- 6 Piston
- 7 Solenoid
- 8 Lip ring seal
- 9 Sleeve
- 11 Solenoid attachment
- 12 Washer
- 13 O-ring
- 14 Spring assy.
- 21 Pilot control valve
- 22 O-ring
- 31 Bolt
- 33 Bolt
- 34 Stud (coding stud)

Dimensional drawings

01



NAMUR hole pattern



Fitting accessories

Description	Use	For additional information see publication	Weight [kg]	Cat. No.
Flange plate	Direct attachment to pneumatic lifting drives with NAMUR ridge; in the case of wall mounting, dependent on position of piping	HERION 7502242	0.49	0559857
Clamp	Used in conjunction with flange plate for attachment to pneumatic lifting drives with NAMUR post		0.10	0540593
Spacer plate	Direct attachment to pneumatic swivel drives, e.g. when using solenoid with terminal box: Cat. Nos. 0788 or 0789 , dependent on mounting position		0.25	0540109
Adaptor plate	Direct attachment to pneumatic swivel drives with hole pattern corresponding to older type valve: Cat. Nos. 2636356 , 2636455		0.18	0559853
Silencer	Pressure connection G 1/4. Max. back pressure 6 bar	HERION 7501080	0.01	0014600