

# 5/2 Directional Control Valves



Nominal size 1.2  
 Solenoid pilot operated poppet valve  
 Connection: Flanged design  
 Single bases and manifold bars  
 Operating pressure 1.5 to 7 bar

Catalog Register  
**P11**

Publication 7502534.06.04.95



## Beschreibung (Standardgerät)

Wegeventil für gefilterte, geölte oder ölfreie Druckluft

Durchflußrichtung: festgelegt  
 Handhilfsbetätigung: serienmäßig  
 Temperaturbereich: -10 bis +60 °C

## Merkmale

- voll entlasteter Weichdichtungsschieber
- überschneidungsfreie Auslegung
- hohe Dichtheit durch neuartiges, radial und axial gestütztes Dichtsystem
- voll drosselbar
- geringer Leistungsbedarf
- universelle Handhilfsbetätigung
- einfach austauschbares Magnetsystem

## Parameters

Symbol	Nominal size	Connection	Operating pressure [bar]		Switching time <sup>2)</sup> [ms]		Current draw [W]	Weight [kg]	Cat. No.	
			min.	max.	ON	OFF			Valve	Solenoid <sup>3)4)</sup>
	1.2	Flange	1.5	7	6	3	1.8	0.06	<b>2625100. 9000</b>	

Note: Valve throttleable down to dia. 0.6 mm



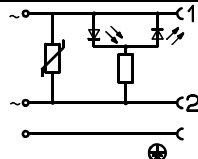

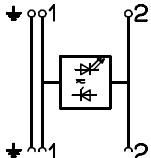
<sup>1)</sup> Oil recommendation: Shell Hydrol DO 32, ESSO Febis K 32 (as of July 1992) or comparable oils with DVI values < 8 (DIN 53521) and ISO viscosity class 32-46 (DIN 51519).

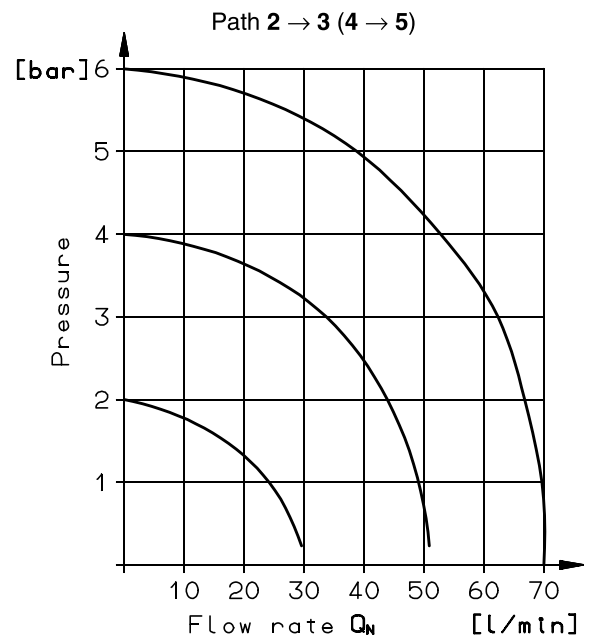
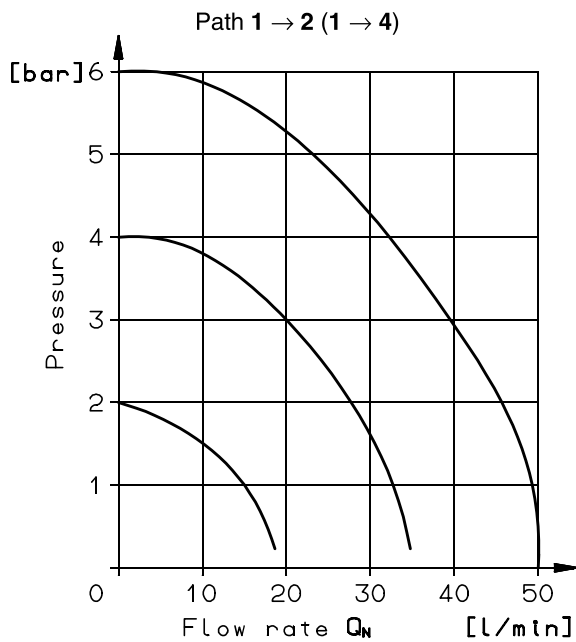
<sup>2)</sup> At 6 bar to VDI 3290 with DC solenoid

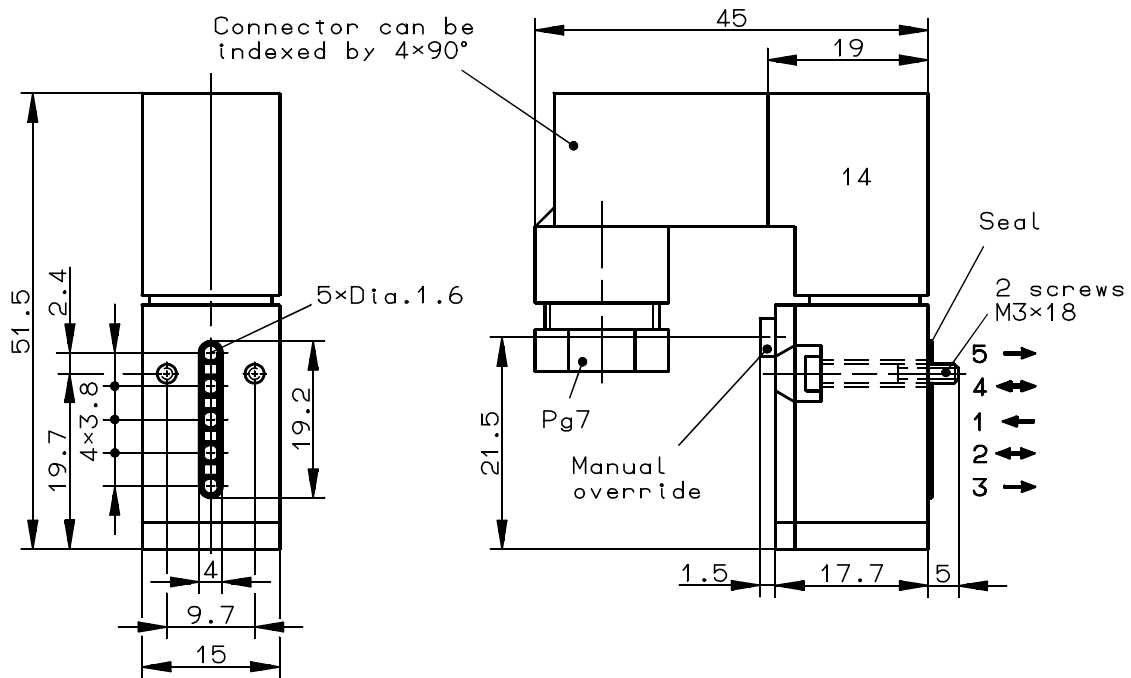
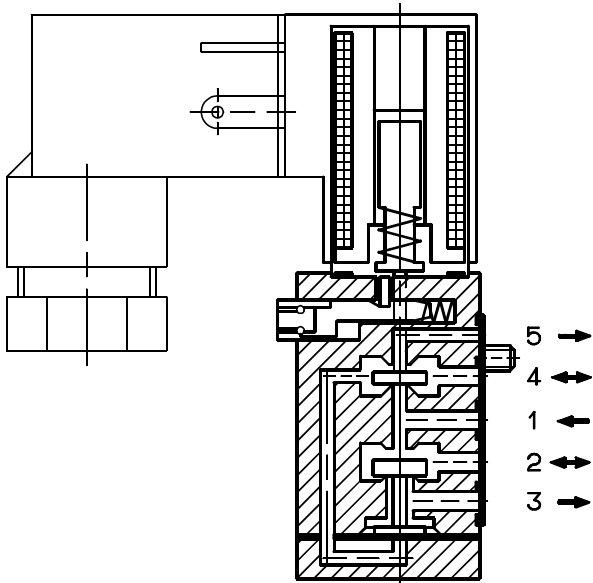
<sup>3)</sup> Connector not enclosed in delivery

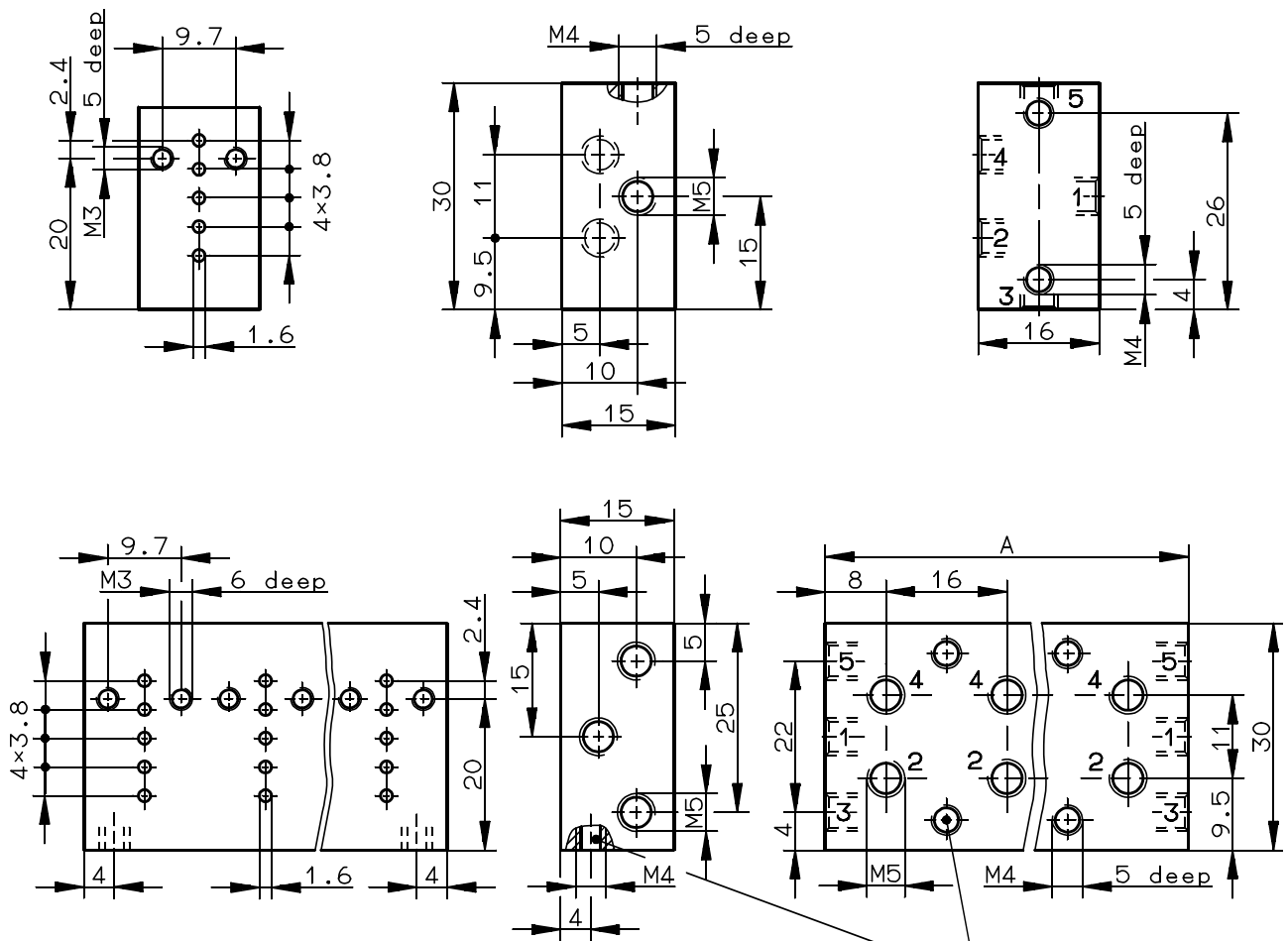
<sup>4)</sup> Quote voltage [V] and frequency [Hz] when ordering

## Connectors for solenoids acc. to industrial standards. Degree of protection: IP 65

Picture	Description	Electrical circuit diagram	Operating temperature [°C]	Operating voltage [V]	Cat. No.
	Connector acc. to industrial standards Space between contacts: 9.4 mm Without cable Without LED		-40 ... +90	12 ... 110 AC 12 ... 130 DC	<b>0664974</b>
	Connector acc. to industrial standards Space between contacts: 9.4 mm Without cable With LED and varistor		-40 ... +90	15 ... 30 AC/DC	<b>0680717</b>
	Connector acc. to industrial standards Space between contacts: 9.4 mm With cable, 3 m With LED and Zener diode		-5 ... +60	24 AC/DC	<b>0681415</b>







Manifold attachment  
(lateral or bottom)

2 screws  
M3 x 10

Blanking plate

Gasket

Bar manifold

Screw plug with  
sealing ring