

Throttle Check Valves



Nominal sizes 2.5 and 4.5
 For compressed air and fluids with low viscosity
 Port sizes G 1/8 and G 1/4
 Operating pressure 0.2 to 10 bar

Catalog Register
P 12

Publication 7501068.06.11.97



Description

Adjustable throttle check valve integrated in hollow screw.
 Flow from A to P throttled
 Flow from P to A unthrottled

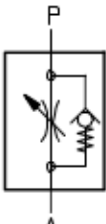
Mounting position: Optional
 Temperature range: -10 to +60 °C
 Material
 - Body: Brass, nickel-plated
 - Swivel joint: Brass, nickel-plated
 - Spring: Stainless steel
 - Seals: NBR (Perbunan)



Features

- Mounts direct on cylinder (throttling of exhaust air)
- Mounts direct on valve (throttling of inlet air)
- Cost-saving assembly
- Saving of screw fittings
- Ideal for application in confined spaces
- Swivel joint tubing very flexible

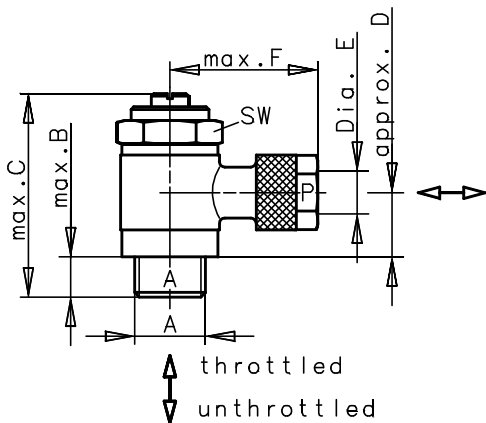
Parameters

Symbol	Nominal size	Port size	Swivel joint Hose OD [mm]	Operating pressure [bar]		Flow rate Q _v [l/min]	Cat. No.
				min.	max.		
	2.5	G 1/8	6	0.2	10	150	4040120 ¹⁾
	4.5	G 1/4	8	0.2	10	300	4040220 ¹⁾

¹⁾ Order No. includes: 1 throttle check valve, 2 sealing rings and 1 swivel joint

Dimensional drawing [mm]

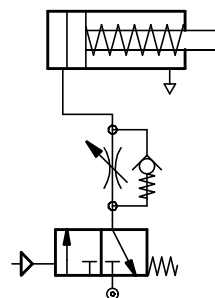
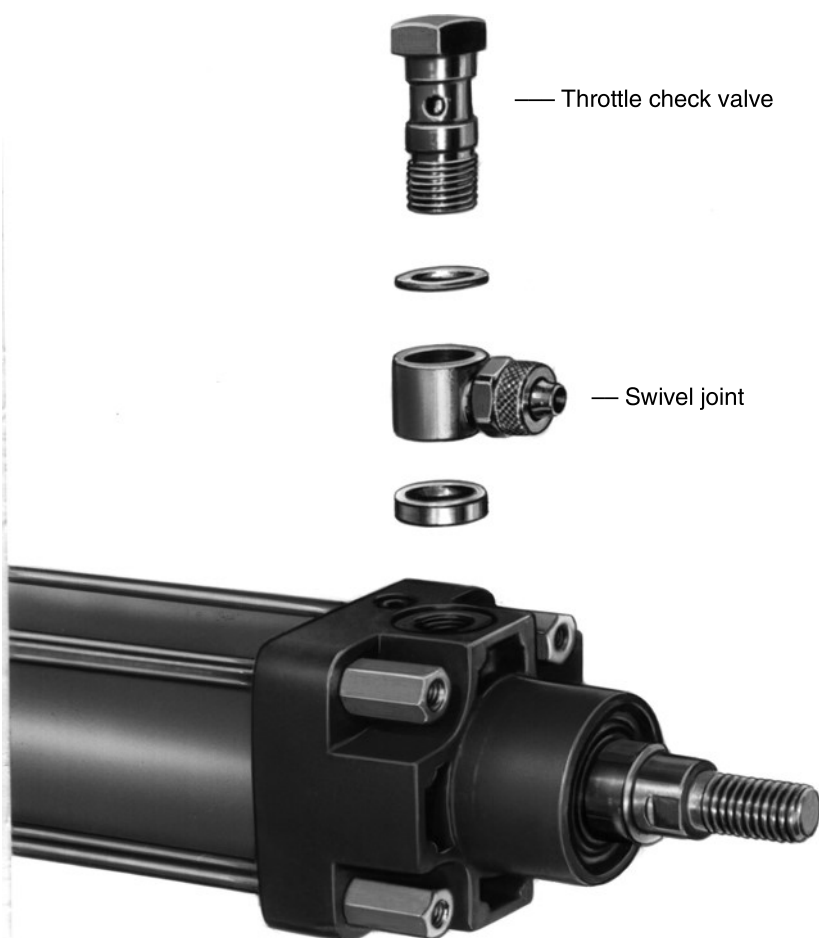
01



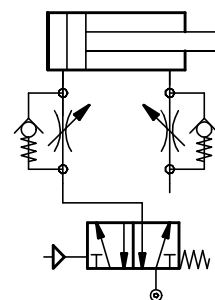
Dimensional table [mm]

Cat. No.	Nom. size	A	B max.	C max.	D	Dia. E	F max.	SW
4040120	2.5	G 1/8	6.0	36	11	6/4	23.3	14
4040220	4.5	G 1/4	7.5	38	12	8/6	27.6	17

Example



E. g. on single-acting cylinders



E. g. on double-acting cylinders