

Throttle Check Valves



Nominal sizes 2, 4 and 6

Screw fitting

Quick action socket connector for plastic hose

Operating pressure 1 to 10 bar

Catalog Register

P 12

Publication 7502184.06.08.89



Description

Throttle check valve for filtered, lubricated¹⁾ or non-lubricated air

Temperature range: -10 to +60°C

Material

- Body: Plastics


- Thread: Brass

Features

- Precise and infinitely variable adjustment
- Adjustment by means of Allen key or slot-head screw
- Can be screwed directly onto cylinder
- Quick action socket connector for plastic hose
- Exhaust air throttle
- Quick connector swivelling



Parameters

Symbol	Nominal size	Port size	Hose OD [mm]	Operating pressure [bar]		Flow rate Q _N [l/min]	Sectional drawing	Dimensional drawing	Weight [kg]	Cat. No.
				min.	max.					
	2	M 5	4	1	10	50	01	01	0.01	4046026
	4	G 1/8	6	1	10	620	01	01	0.02	4040126
	6	G 1/4	8	1	10	11 00	01	01	0.04	4040226

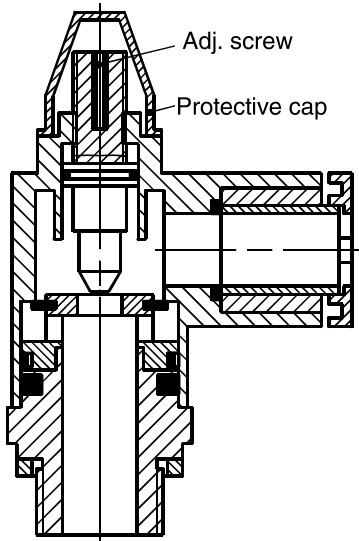
Further versions available on request

- M 5 air supply throttle

¹⁾ Oil recommendation: Shell Hydrol DO 32, ESSO Febis K 32 (as of July 1992) or comparable oils with DVI values < 8 (DIN 53521) and ISO viscosity class 32-46 (DIN 51519).

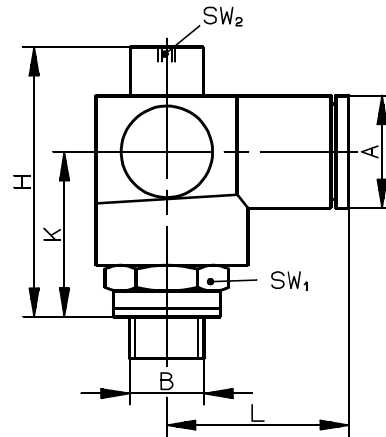
Sectional drawing

01



Dimensional drawing

01



Dimensional table [mm]

Cat. No.	Dia. A	B	H	K	L	SW ₁ ²⁾	SW ₂ ²⁾
4046026	11	M 5	17	7.2	20	—	1)
4040126	14	G 1/8	39	23.8	24	14	3
4040226	16	G 1/4	42	26.5	27	17	4

¹⁾ Slot bolt 2,5 mm

²⁾ SW = Width over flats of hex. nut