

Throttle Check Valves



Nominal sizes 2 to 25
 Manually actuated
 Port sizes M 5 and G 1/8 to G 1
 Operating pressure (see parameters)

Catalog Register
P 12

Publication 7502187.06.07.96



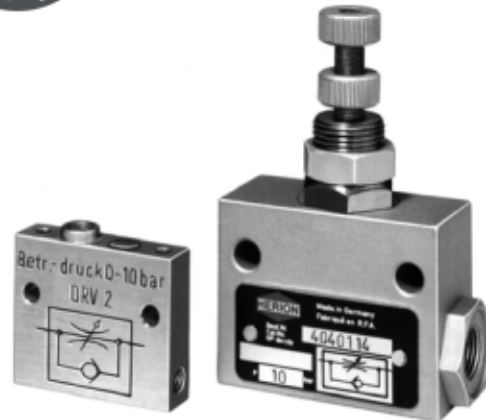
Description

Throttle check valves for filtered, lubricated or non-lubricated air

Temperature range: -10 to +60°C

Features

- Precise setting
- Large regulating range
- Low opening pressure
- High flow rate

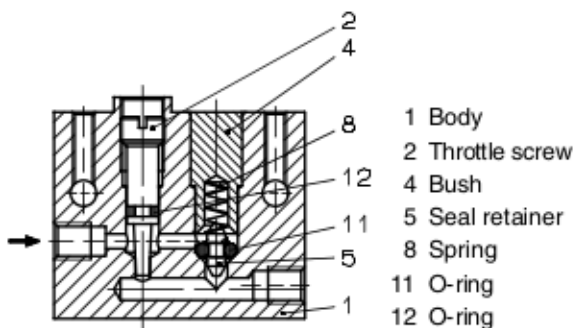


Parameters

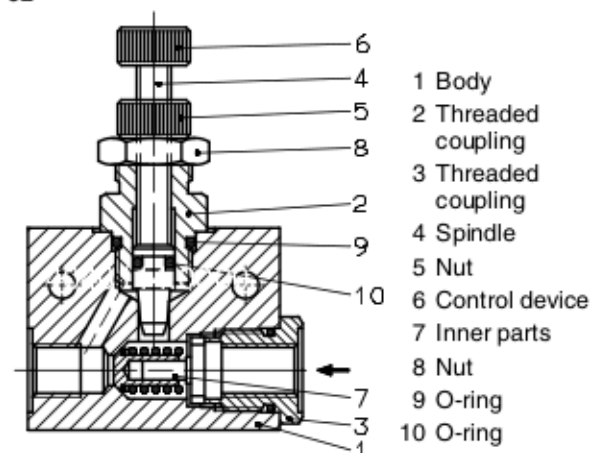
Symbol	Nominal size	Port size	Operating pressure [bar]		k _v -value (C _v (US)=k _v x 1.2)	Sectional drawing	Dimensional drawing	Weight [kg]	Cat. No.
			min.	max.					
	2	M 5	0	10	0.05	01	01	0.07	4046000
	4	G 1/8	0.2	16	0.53	02	02	0.09	4040114
	6	G 1/4	0.2	16	1.0	02	02	0.20	4040214
	15	G 1/2	0.2	16	4.2	02	02	0.65	4040301
	20	G 3/4	0.2	16	5.0	02	02	1.30	4040401
	25	G 1	0.2	16	15.0	02	02	2.60	4040501

Sectional drawings

01

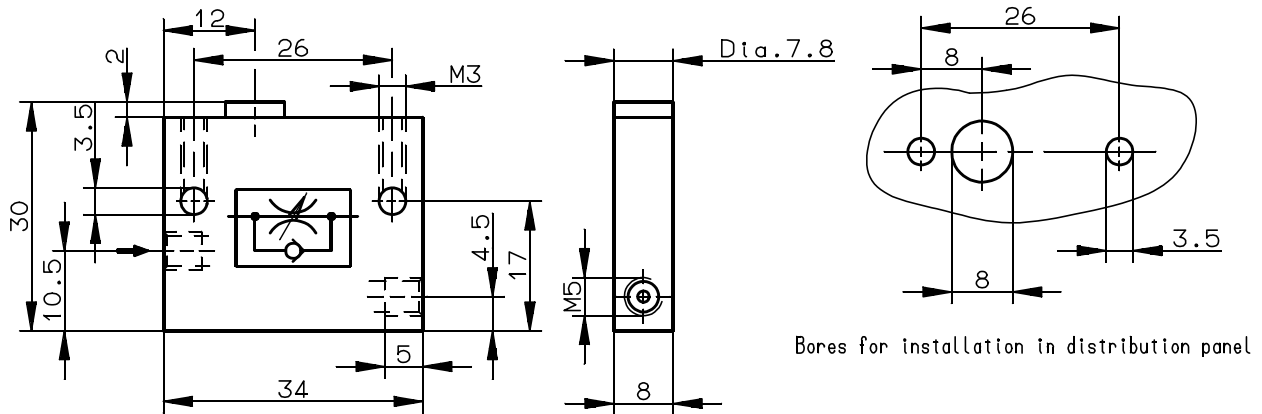


02

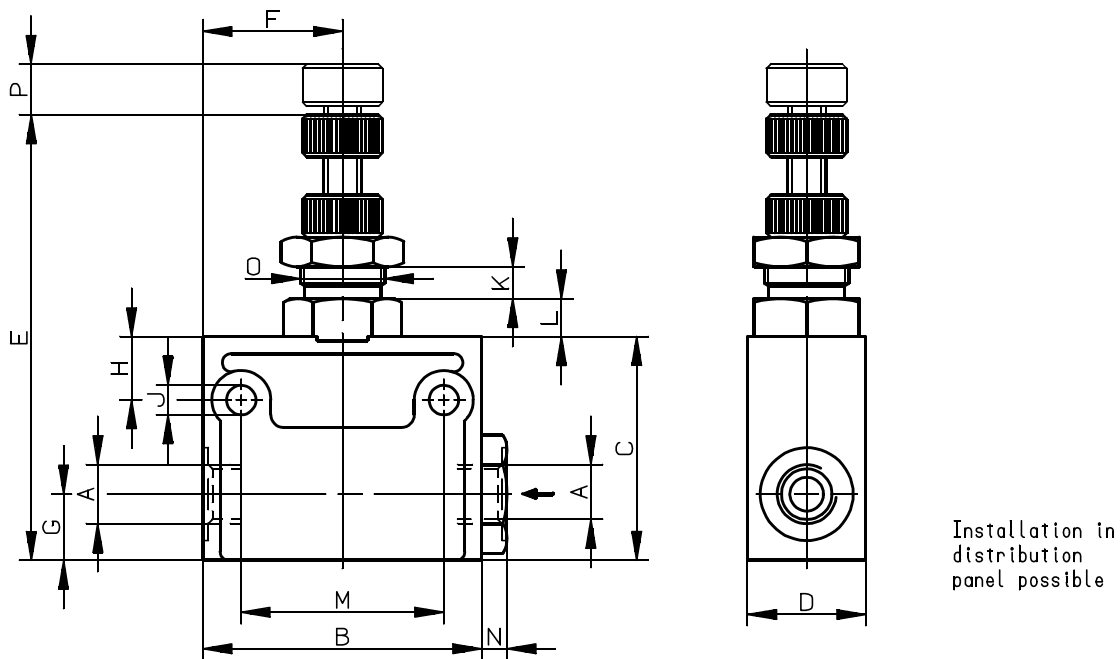


Dimensional drawings [mm]

01



02



Dimensional table [mm]

Cat. No.	Nom. size	A	B	C	D	E	F	G	H	J	K	L	M	N	O	P
4040114	4	G 1/8	45	35	22	68	23	10	10	5	5	5	33	4	M 14 x 1	6
4040214	6	G 1/4	55	50	25	88.5	30	13	12	7	5	6	40	6	M 16 x 1.5	8
4040301	15	G 1/2	80	70	40	115	48	19	15	9	5	8	64	10	M 20 x 1.5	10
4040401	20	G 3/4	100	90	50	146	60	24	25	11	5	8	76	11	M 30 x 1.5	14
4040501	25	G 1	126	120	60	188.5	72	30	25	14	5	10	96	14	M 36 x 1.5	18