

Quick Venting Valves



Nominal sizes 4 to 25
 Pneumatically actuated
 Port sizes G 1/8 to G 1
 Operating pressure 0.5 to 10 bar

Catalog Register
 P 12

Publication 7502189.06.06.94



Description

Quick venting valve for filtered, lubricated or non-lubricated air

Temperature range: -20 to +80°C

Material

- Body: Brass, nickel-plated
- Cover: Brass, nickel-plated
- Moulded part: PUR



Features

- High flow rate from A to R
- Low min. pressure
- Compact design
- Simple construction
- Also suitable as two-way valve or double check valve

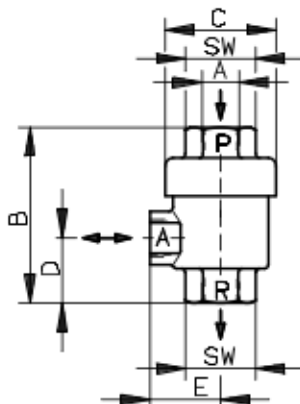
Parameters

Symbol	Nominal size	Port size	Operating pressure [bar]		Flow rate $Q_n^{1)}$ [l/min]		Dimensional drawing No.	Weight [kg]	Cat. No.
			min.	max.	P to A	A to R			
	4	G 1/8	0.5	10	380	1100	01	0.10	4050114
	6	G 1/4	0.5	10	850	2160	01	0.18	4050214
	15	G 1/2	0.5	10	2160	5700	01	0.43	4050314
	20	G 3/4	0.5	10	1950	10600	01	0.44	4050414
	25	G 1	0.5	10	3400	12500	01	1.76	4050514

¹⁾ at 6 bar $\Delta p = 1$

Dimensional drawing

01



Dimensional table [mm]

Cat. No.	A	B	Dia. C	D	E	SW
4050114	G 1/8	46	29	17	18.5	16
4050214	G 1/4	65	34	25.5	24	19
4050314	G 1/2	82	44	33	30	32
4050414	G 3/4	88	49	35	38	32
4050514	G 1	109	80	39	48	46