

Throttle Check Valve Plate



Nominal size 4.5
For 5/2 and 5/3 directional control valves
NAMUR pattern flange mounting
Operating pressure 0.2 to 10 bar

Catalog Register
P12

Publication 7503042.06.04.94



Description

Throttle check valve plate for filtered, lubricated¹⁾ or non-lubricated air

Temperature range: -10 to +60 °C

Material

- Plate: Anodized aluminium
- Throttle: Brass
- Seals: NBR (Perbunan)



Features

- Individual speed control
- Simplified mounting
- Throttle adjustment via slot bolt
- Suited for installation in control systems

Parameters

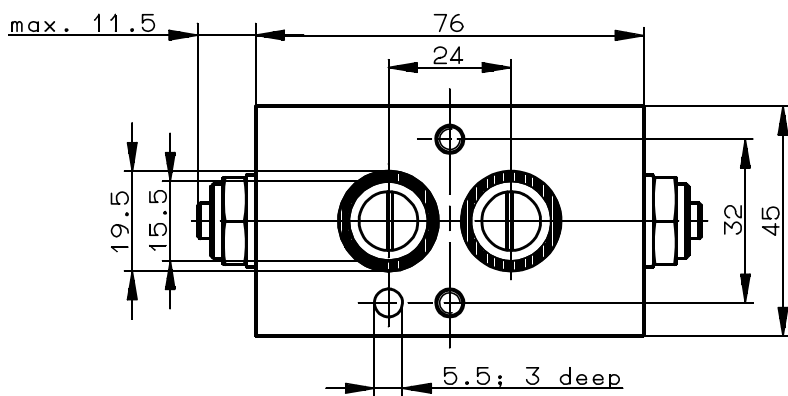
Nominal size	Port connection		Operating pressure [bar]		Weight [kg]	Cat. No.
	Supply air	Exhaust air	min.	max.		
4.5	Flange NAMUR interface	Flange NAMUR interface	0.2	10	0.39	4040238

¹⁾ Oil recommendation: Shell Hydrol DO 32, ESSO Febis K 32 (as of July 1992) or comparable oils with DVI values < 8 (DIN 53521) and ISO viscosity class 32-46 (DIN 51519).

Dimensional drawing

- 1 Plate
- 2 Throttle check valve
- 3 Gasket
- 4 O-ring
- 5 O-ring
- 7 Socket-head screw
- 8 Screw cap
- 9 Coding stud

Sectional drawing [mm]



Push in Threaded piece
after mounting of plate
(locking of position)

