

Setpoint Selector Switch SU 01

With 2 internal setpoints



Catalog Register
A17, P17, H17

Publication 7502595.06.01.97



Description (standard unit)

The setpoint selector switch SU 01 serves for setting and selection of 2 internal setpoints. It is located in the connector shell (terminal interface to DIN 43651) and connected to the electronic amplifier unit pQ 11 (see Publications 7502094 and 7502952). The setpoints can be set by means of a 16-turn potentiometer and selected via 24 V control signals. The operation condition and the selected setpoint are indicated by LEDs.

Features

- Setting and selection of 2 setpoints
- It can be used in conjunction with
 - electronic amplifier unit pQ 11 with plug-in connector and
 - pneumatic proportional valves with integrated electronic control
- Terminal interface to DIN 43651
- Display of operation condition by LEDs



Parameters

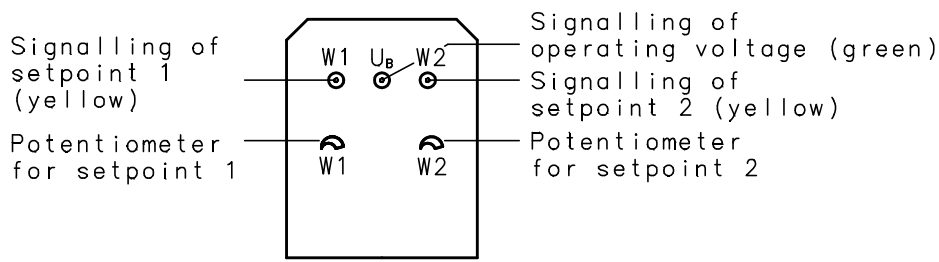
General parameters

Designation	Setpoint selector switch SU 01
Design	Plastic connector shell, 6-pin plug + PE, terminal interface to DIN 43 651
Degree of protection	IP 65
Mounting position	Optional
Ambient temperature range δ_u [°C]	- 20 ... + 60
Weight [kg]	0.07
Connection	Terminal 1.0 mm ² Cable gland Pg 11
Cat. No.	5998737

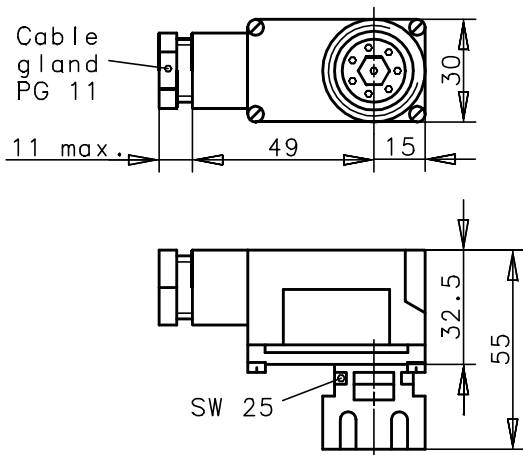
Electrical parameters

Supply voltage U_b	See data sheet of unit to be controlled (either electronic amplifier unit pQ 11 or proportional pressure control valve with integrated electronic control)
Signalling of supply voltage	Via incorporated LED
Setting range [V] of setpoints	0 to 10 by means of internal 16-turn trimming potentiometers
Activation of setpoints	Via internal relays
Max. coil voltage of relays [V]	32
Min. pick-up voltage of relays [V]	18
Min. drop-out voltage of relays [V]	3
Coil resistance at 20 °C [Ω]	Approx. 4000
Signalling of activated setpoints	By incorporated LEDs

Position of controls



Dimensional drawing [mm]



Circuit diagram

