

3/2 (2/2) Directional Control Valves



Nominal sizes 4 and 6
 Pneumatically actuated
 Lapped spool and sleeve valves
 Port sizes G 1/8 and G 1/4
 Operating pressure 0 to 16 bar

Catalog Register
P8

Publication 7501004.06.09.95



Description

Directional control valve for filtered and lubricated¹⁾ air

Flow direction: Optional
 Temperature range: -10 to +60 °C



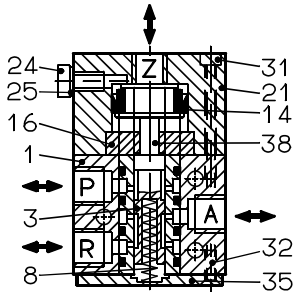
Parameters

| Symbol | Nominal size | Port size | Operating pressure [bar] | | Control pressure [bar] | | k _v -value (CV (US) = k _v x 1.2) | Weight [kg] | Sectional drawing No. | Dimensional drawing No. | Cat. No. |
|--------|--------------|-----------|--------------------------|------|------------------------|------|--|-------------|-----------------------|-------------------------|----------------|
| | | | min. | max. | min. | max. | | | | | |
| | 4 | G 1/8 | 0 | 16 | 0.8 | 10 | 0.28 | 0.12 | 01 | 01 | 4020606 |
| | 6 | G 1/4 | 0 | 16 | 0.8 | 10 | 0.80 | 0.22 | 01 | 02 | 4021306 |
| | 4 | G 1/8 | 0 | 16 | 0.5 | 10 | 0.28 | 0.15 | 02 | 03 | 4020706 |
| | 6 | G 1/4 | 0 | 16 | 0.5 | 10 | 0.80 | 0.30 | 02 | 04 | 4021406 |

¹⁾ Spindle oil: max. 9.5 mm²/s, Filter: Filtration ≤ 10 μm

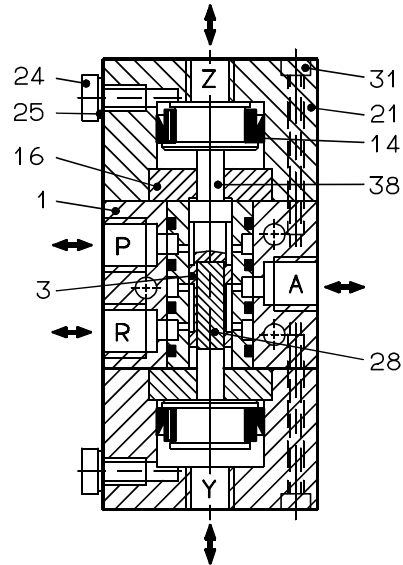
Sectional drawings

01



- 1 Body
- 3 Bush assly.
- 8 Spring
- 14 Lip ring
- 16 Disc
- 21 Body
- 24 Screw
- 25 Sealing ring
- 31 Screw
- 32 Screw
- 35 Plate
- 38 Spool

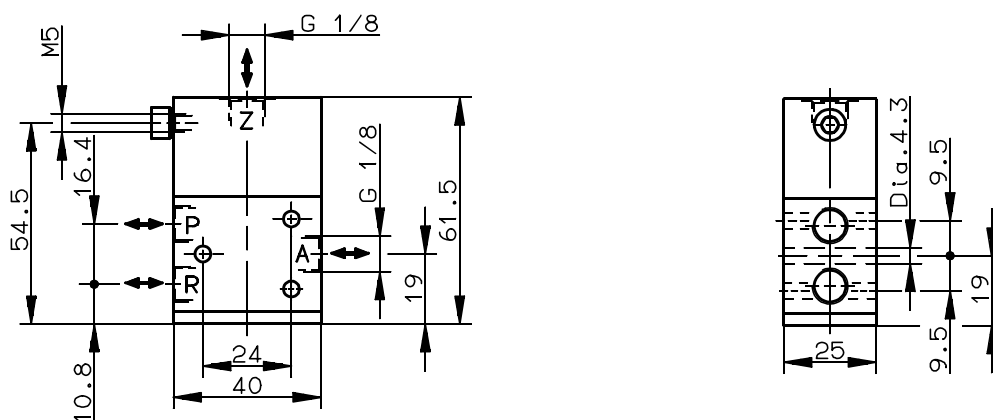
02



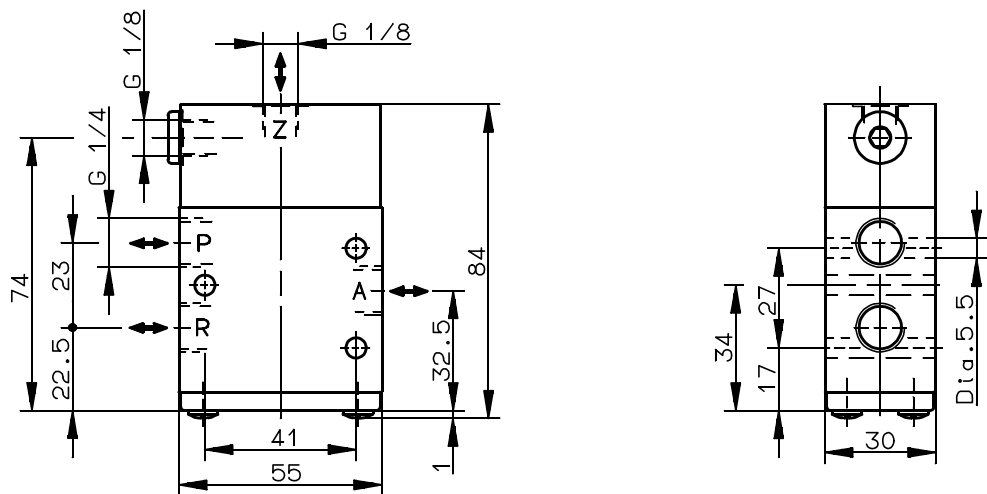
- 1 Body
- 3 Bush assly.
- 14 Lip ring
- 16 Disc
- 21 Body
- 24 Screw
- 25 Sealing ring
- 28 Bolt
- 31 Screw
- 38 Spool

Dimensional drawings [mm]

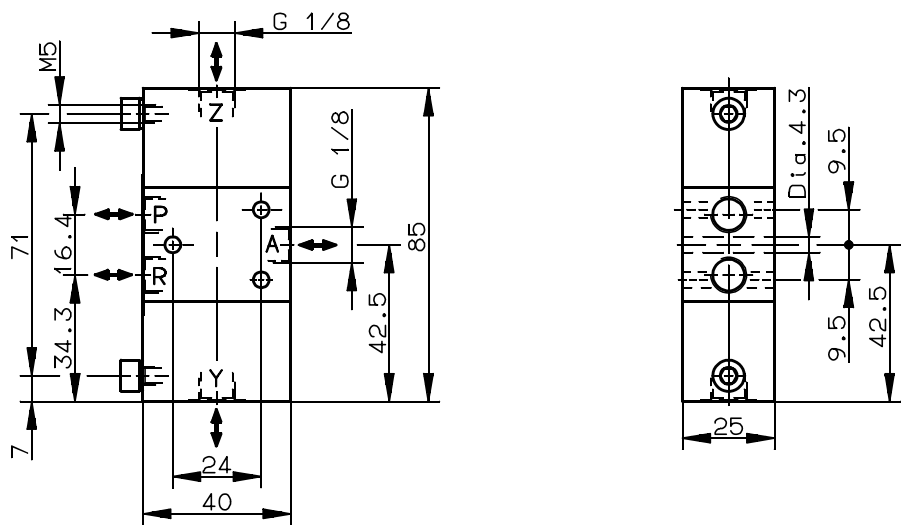
01



02



03



04

