

# 5/2 Directional Control Valves



Nominal sizes 6 and 12  
 Pneumatically actuated  
 Soft seal spool valve  
 Port sizes G 1/4 and G 1/2  
 Operating pressure: 16 bar max. (see parameters)

Catalog Register  
**P 8**

Publication 7501038.06.08.95



## Description

Directional control valve for filtered, lubricated or non-lubricated air

Flow direction: Fixed or optional  
 Temperature range: -10 to +60 °C

## Features

- High flow values
- Oil-free operation
- Double air pilot operated valves with memory function in case of pressure failure
- Easy-to-service design
- Also suited for coarse vacuum



## Parameters

Symbol	Nominal size	Port size	Operating pressure [bar]		Control pressure [bar]		$k_{Vv}$ -value (C <sub>v</sub> (US) = $k_{Vv} \times 1.2$ )	Weight [kg]	Sectional drawing No.	Dimensional drawing No.	Cat. No.
			min.	max.	min.	max.					
 SPR	6	G 1/4	1	16	1.5 <sup>1)</sup>	16	1.2	0.36	01	01	4031330 <sup>2)</sup>
	12	G 1/2	2	16	1.5 <sup>1)</sup>	16	3.0	0.63	01	02	4032030 <sup>3)</sup>
 SPR	6	G 1/4	0	16	1.5	16	1.2	0.49	02	03	4031430 <sup>3)</sup>
	12	G 1/2	0	16	1.5	16	3.0	0.76	02	03	4032130 <sup>3)</sup>
 SPR	6	G 1/4	0	16	2.5	16	1.2	0.49	03	04	4031331 <sup>3)</sup>
	12	G 1/2	0	16	2.5	16	3.0	0.76	03	05	4032031 <sup>3)</sup>

<sup>1)</sup> The control pressure must be equal to or higher than the respective operating pressure; at least, however, 1.5 bar

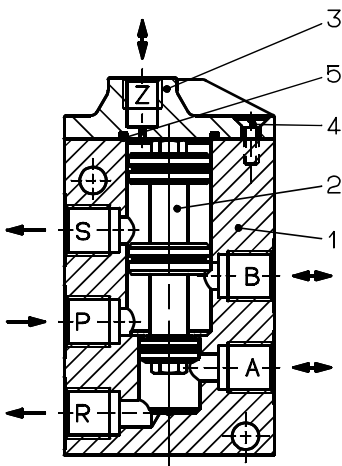
<sup>2)</sup> Port R not throttleable

<sup>3)</sup> Port R and S throttleable

Oil recommendation: Shell Hydrol DO 32, ESSO Febis K 32 (as of July 1992) or comparable oils with DVI values < 8 (DIN 53521) and ISO viscosity class 32-46 (DIN 51519).

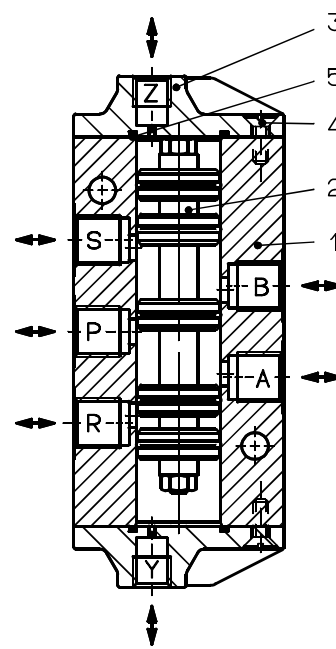
# Sectional drawings

01

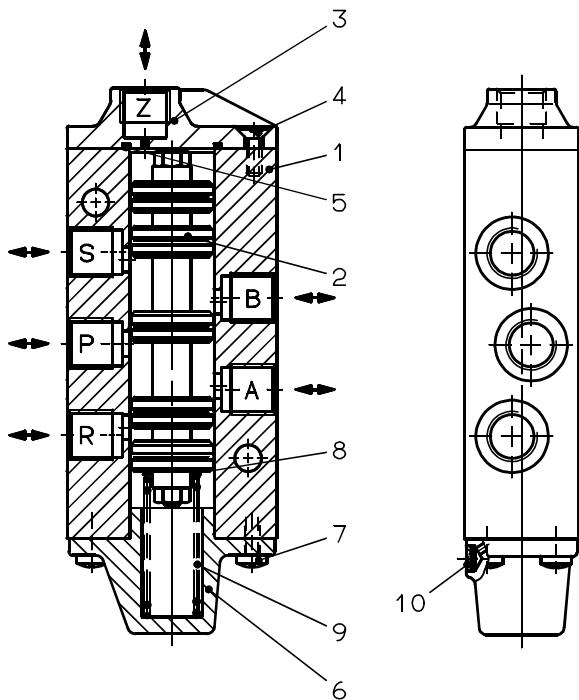


- 1 Body
- 2 Piston assly.
- 3 Flange
- 4 Screw
- 5 Sealing disc

02



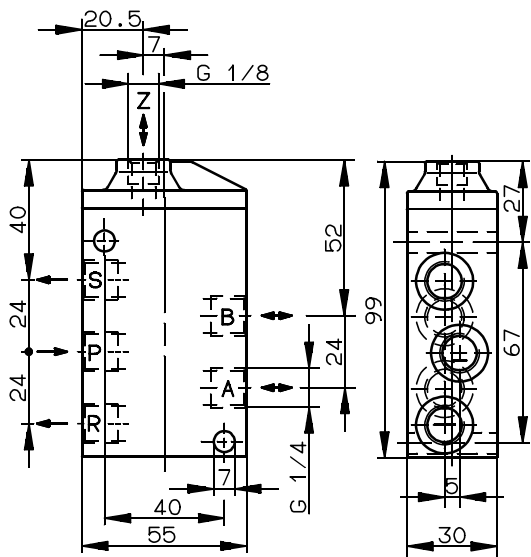
03



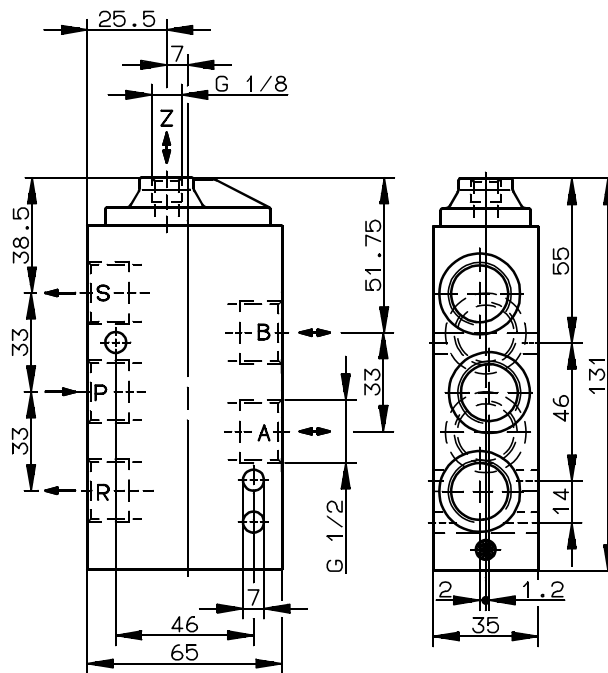
- 1 Body assly.
- 2 Piston assly.
- 3 Flange
- 4 Screw
- 5 Sealing disc
- 6 Flange
- 7 Screw
- 8 Disc
- 9 Spring
- 10 Disc

# Dimensional drawings [mm]

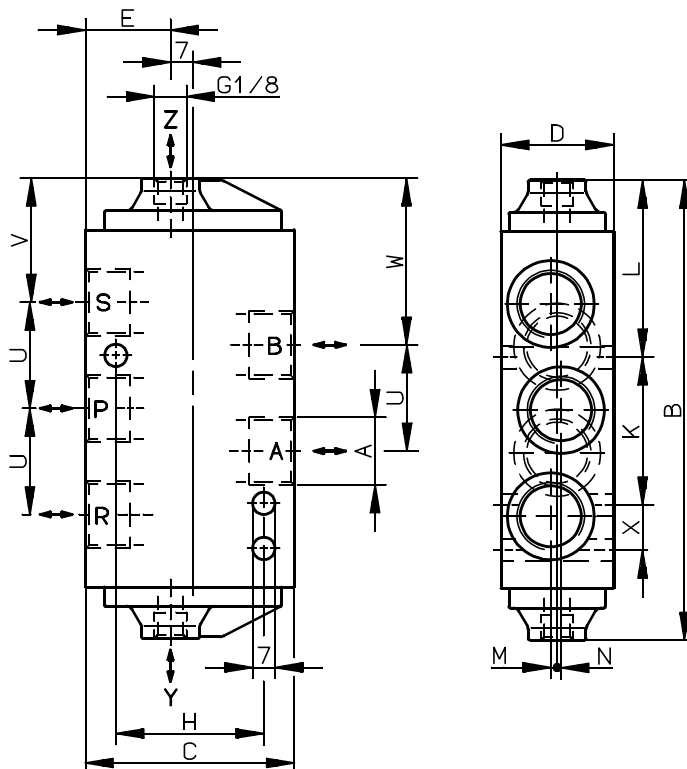
01



02



03

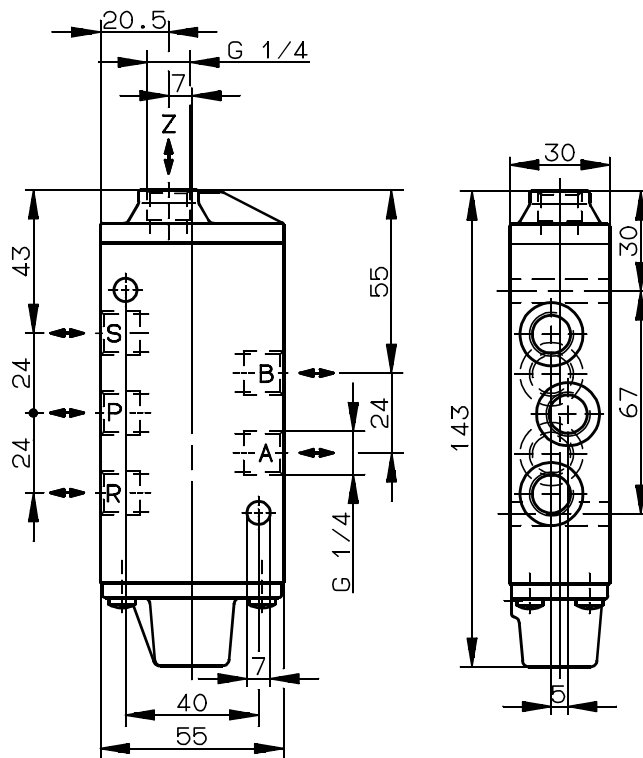


## Dimensional table [mm]

Cat. No.	Nominal size	A	B	C	D	E	H	K	L	M	N	U	V	W	X
4031430	6	G 1/4	134	55	30	20.5	40	67	30	2.5	2.5	24	43	55	-
4032130	12	G 1/2	143	65	35	25.5	46	46	55	2.0	1.2	33	38.5	51.5	14

**Dimensional drawings [mm]**

04



05

